

TerraSpray™ Rinse Station

3 Pre-engineered solutions perfect for midsize facilities

- Handles all sizes and styles of carboys & vessels up to 50 gallons (200 liters)
- Avoids expensive automated solutions

Increase productivity

- Eliminates awkward manual efforts
- Efficient and easy; quickly get carboys ready for use

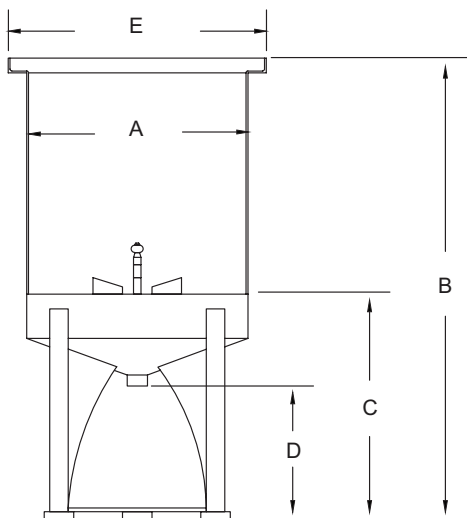
Improve safety

- No more wet floors or slip hazards
- Compact design keeps water contained without allowing water and residue to leak or splash

Easy to use - portable and flexible

- Mobility kit available
- Ties in easily with existing water source
- Uses standard plumbing connections

Pre-engineered TerraSpray™ Rinse Station:



- No electricity required
- Inlet: 1/2" NPT female
- Drain: 1 1/2" NPT female



Compact rinse station for lab and process carboys and vessels.

- **Saves money**
- **Conserves water**
- **Reduces labor time**
- **Eliminates slip hazards**

Terracon Corporation
 1376 West Central Street, Suite 130
 Franklin, MA 02038-7100
 508.429.9950 tel
 sales@terracon-solutions.com

www.terracon-solutions.com



Model	Style	Rinses Vessels up to:	A	B	C	D	E
CTS1443	Countertop	15" Diameter	16"	29"	12.5"	5"	19"
CTS1444	Floor - Standard	18" Diameter	19"	53"	28"	18"	22"
CTS1426	Floor - Large	29" Diameter	30"	63"	30.5"	18"	35"

Call or e-mail Terracon today for additional information.