

WHEN ORDERING PARTS SPECIFY:
DRAWING NUMBER, PART NAME, ITEM
NUMBER AND SERIAL NUMBER.

167	HEX NUT
165	ROUND HEAD MACH. SCREW
164	FLAT BLADE
162	SET SCREW
161	HUB & DISC ASSEMBLY
107	HOOK KEY
ITEM	PART NAME

ALL EQUIPMENT DESIGN AND APPLICATION DATA SHOWN
HEREIN AND RELATED KNOW-HOW IS **CONFIDENTIAL** AND
THE PROPERTY OF THE LIGHTNIN GROUP OF COMPANIES.
NO USE OR DISCLOSURE THEREOF MAY BE MADE WITHOUT
OUR WRITTEN PERMISSION.

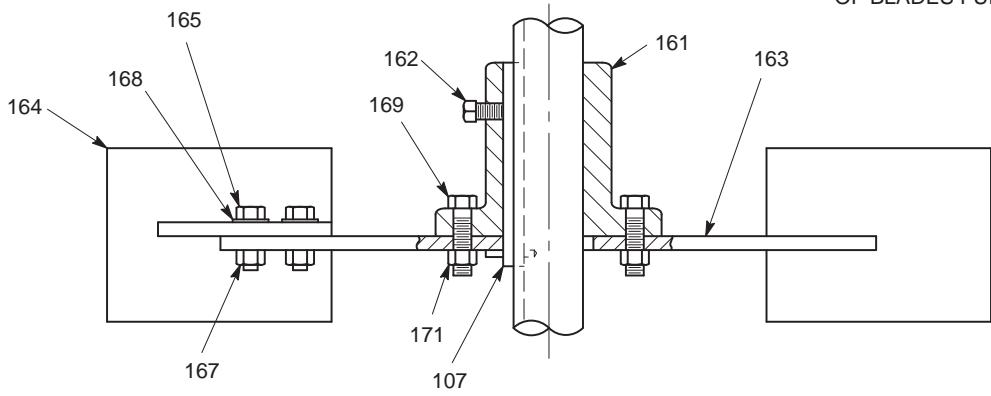
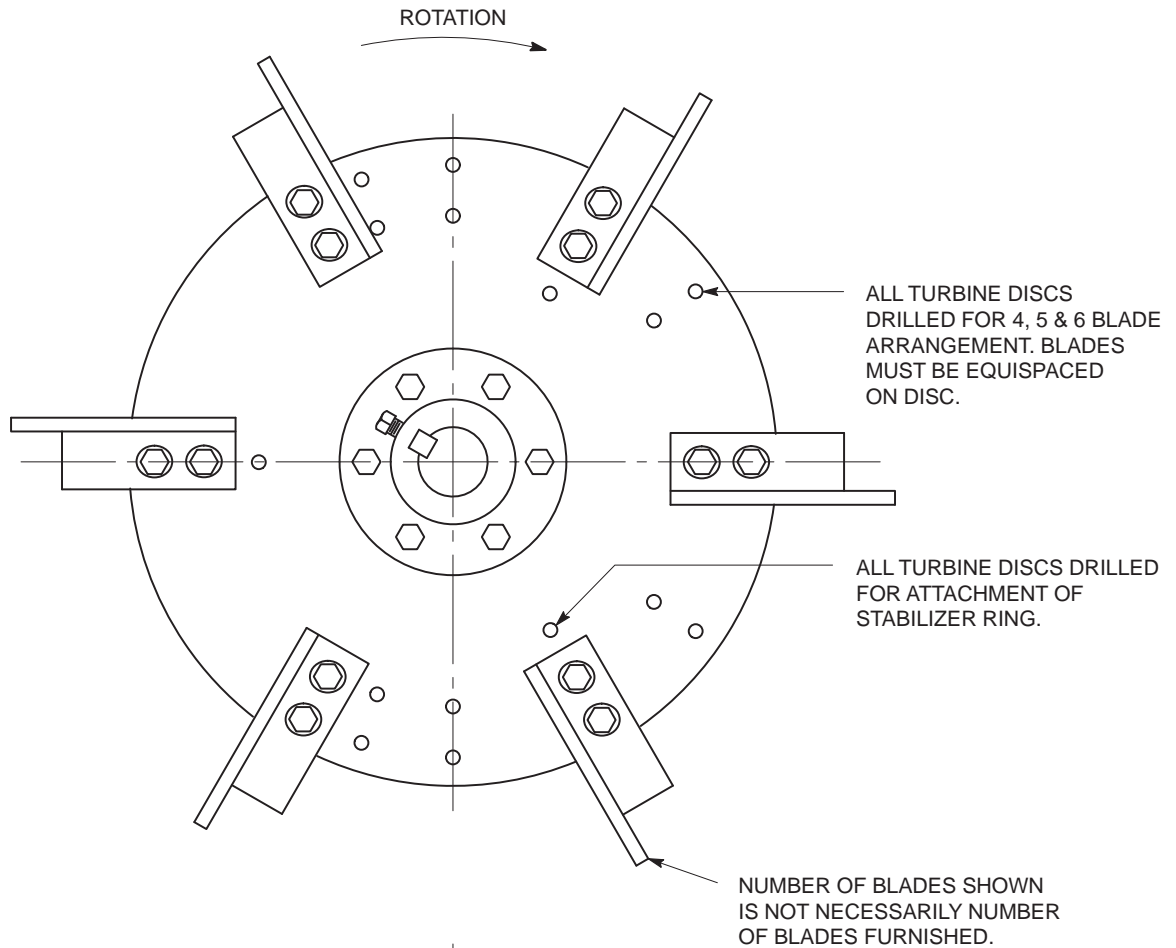
LIGHTNIN®
MIXERS AND AERATORS

ASSEMBLY DRAWING

**FLAT BLADE TURBINE
(PILOT PLANT)**



© LIGHTNIN
2001



WHEN ORDERING PARTS SPECIFY:
DRAWING NUMBER, PART NAME, ITEM
NUMBER AND SERIAL NUMBER.

171	HEX NUT
169	HEX HEAD CAP SCREW
168	PLAIN WASHER
167	HEX NUT
165	HEX HEAD CAP SCREW
164	FLAT BLADE
163	TURBINE DISC
162	SET SCREW
161	TURBINE HUB
107	HOOK KEY
ITEM	PART NAME

ALL EQUIPMENT DESIGN AND APPLICATION DATA SHOWN
HEREIN AND RELATED KNOW-HOW IS **CONFIDENTIAL** AND
THE PROPERTY OF THE LIGHTNIN GROUP OF COMPANIES.
NO USE OR DISCLOSURE THEREOF MAY BE MADE WITHOUT
OUR WRITTEN PERMISSION.

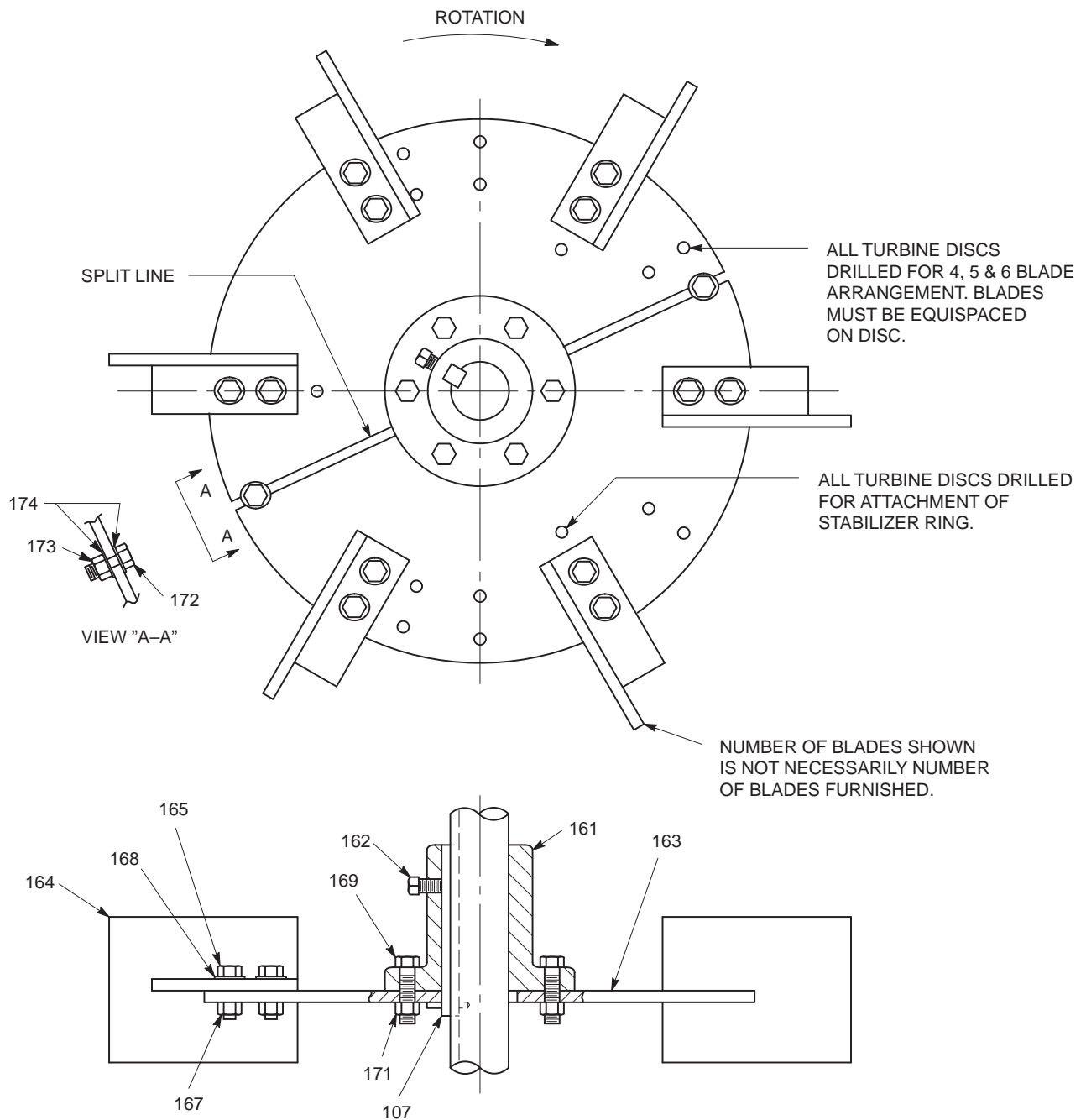
LIGHTNIN®
MIXERS AND AERATORS

ASSEMBLY DRAWING

FLAT BLADE TURBINE



© LIGHTNIN
2001



WHEN ORDERING PARTS SPECIFY:
DRAWING NUMBER, PART NAME, ITEM
NUMBER AND SERIAL NUMBER.

174	PLAINWASHER
173	HEX NUT
172	HEX HEAD CAP SCREW
171	HEX NUT
169	HEX HEAD CAP SCREW
168	PLAIN WASHER
167	HEX NUT
165	HEX HEAD CAP SCREW
164	FLAT BLADE
163	TURBINE DISC
162	SET SCREW
161	TURBINE HUB
107	HOOKEY KEY
ITEM	PART NAME

ALL EQUIPMENT DESIGN AND APPLICATION DATA SHOWN
HEREIN AND RELATED KNOW-HOW IS **CONFIDENTIAL** AND
THE PROPERTY OF THE LIGHTNIN GROUP OF COMPANIES.
NO USE OR DISCLOSURE THEREOF MAY BE MADE WITHOUT
OUR WRITTEN PERMISSION.

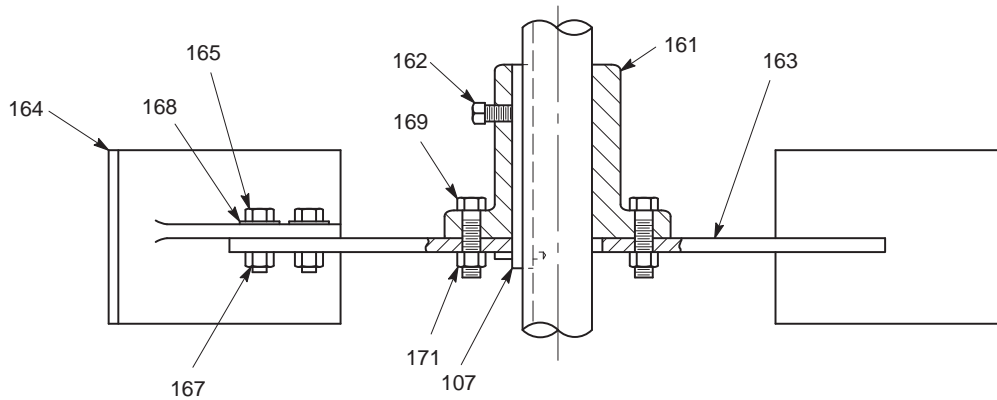
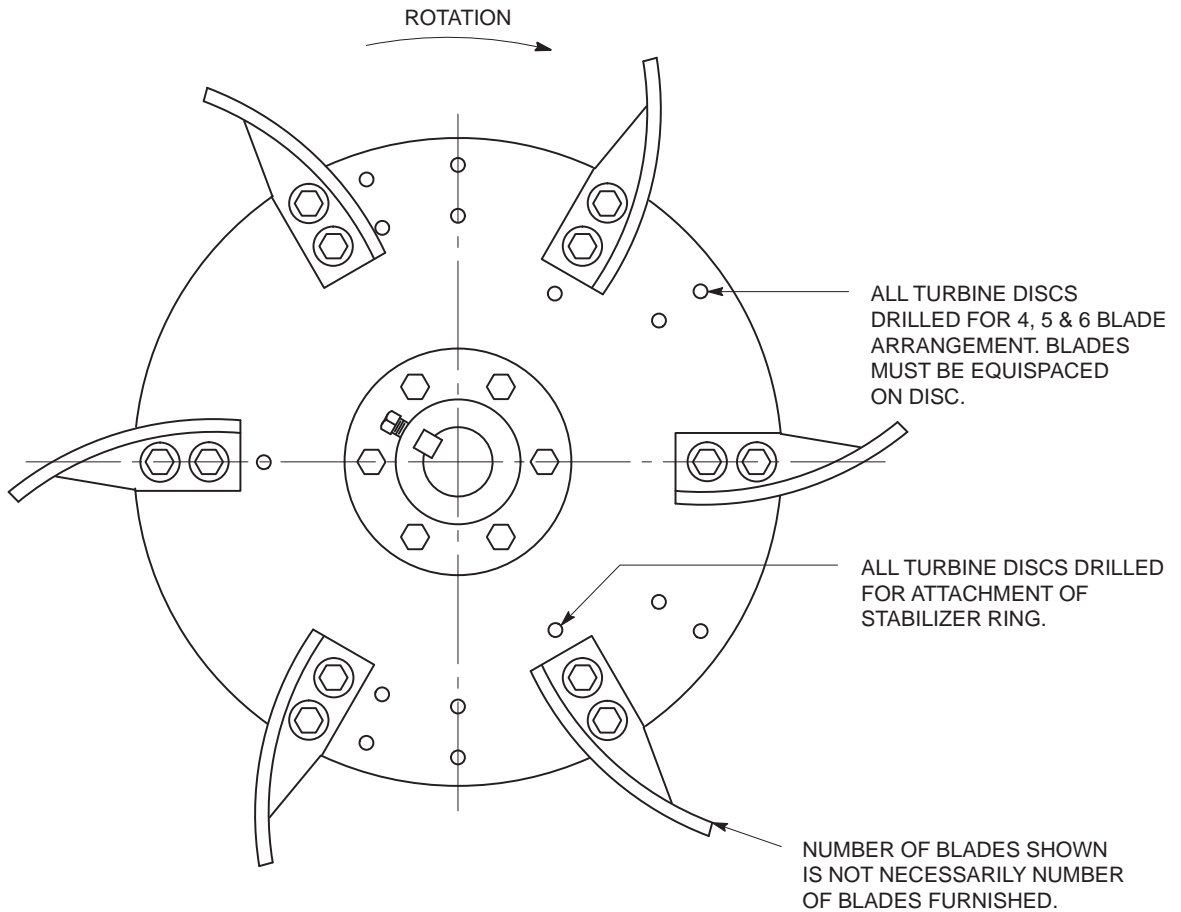
LIGHTNIN®
MIXERS AND AERATORS

ASSEMBLY DRAWING

**FLAT BLADE TURBINE
(SPLIT)**



© LIGHTNIN
2001



WHEN ORDERING PARTS SPECIFY:
DRAWING NUMBER, PART NAME, ITEM
NUMBER AND SERIAL NUMBER.

171	HEX NUT
169	HEX HEAD CAP SCREW
168	PLAIN WASHER
167	HEX NUT
165	HEX HEAD CAP SCREW
164	CURVED BLADE
163	TURBINE DISC
162	SET SCREW
161	TURBINE HUB
107	HOK KEY
ITEM	PART NAME

ALL EQUIPMENT DESIGN AND APPLICATION DATA SHOWN
HEREIN AND RELATED KNOW-HOW IS **CONFIDENTIAL** AND
THE PROPERTY OF THE LIGHTNIN GROUP OF COMPANIES.
NO USE OR DISCLOSURE THEREOF MAY BE MADE WITHOUT
OUR WRITTEN PERMISSION.

LIGHTNIN®
MIXERS AND AERATORS

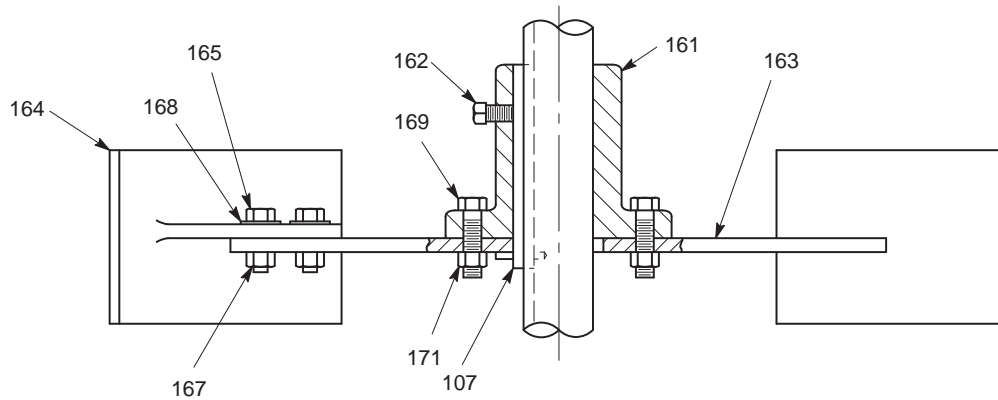
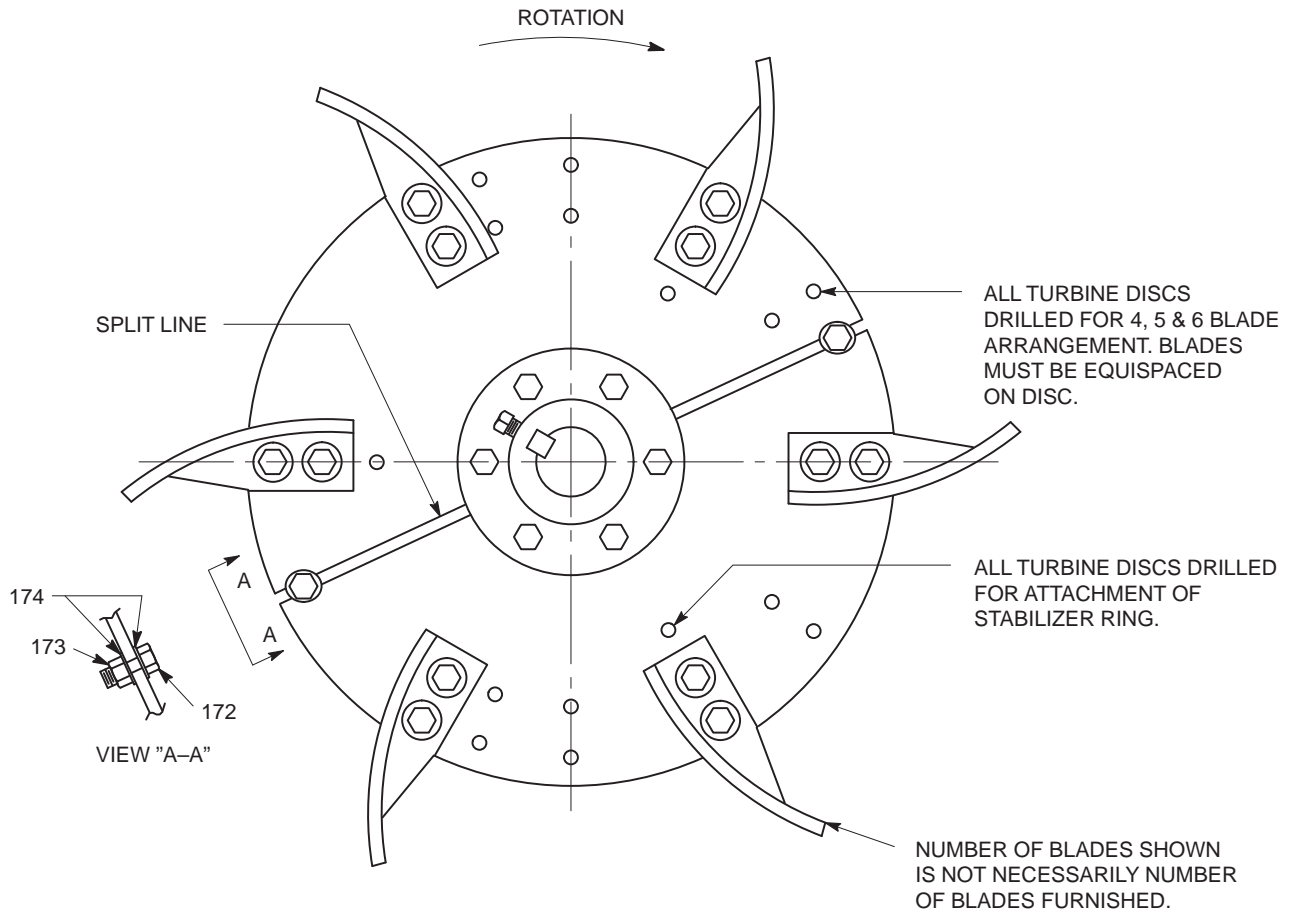
ASSEMBLY DRAWING

CURVED BLADE TURBINE



CERTIFIED

© LIGHTNIN
2001



WHEN ORDERING PARTS SPECIFY:
DRAWING NUMBER, PART NAME, ITEM
NUMBER AND SERIAL NUMBER.

174	PLAIN WASHER
173	HEX NUT
172	HEX HEAD CAP SCREW
171	HEX NUT
169	HEX HEAD CAP SCREW
168	PLAIN WASHER
167	HEX NUT
165	HEX HEAD CAP SCREW
164	CURVED BLADE
163	TURBINE DISC
162	SET SCREW
161	TURBINE HUB
107	HOOKEY KEY
ITEM	PART NAME

ALL EQUIPMENT DESIGN AND APPLICATION DATA SHOWN
HEREIN AND RELATED KNOW-HOW IS **CONFIDENTIAL** AND
THE PROPERTY OF THE LIGHTNIN GROUP OF COMPANIES.
NO USE OR DISCLOSURE THEREOF MAY BE MADE WITHOUT
OUR WRITTEN PERMISSION.

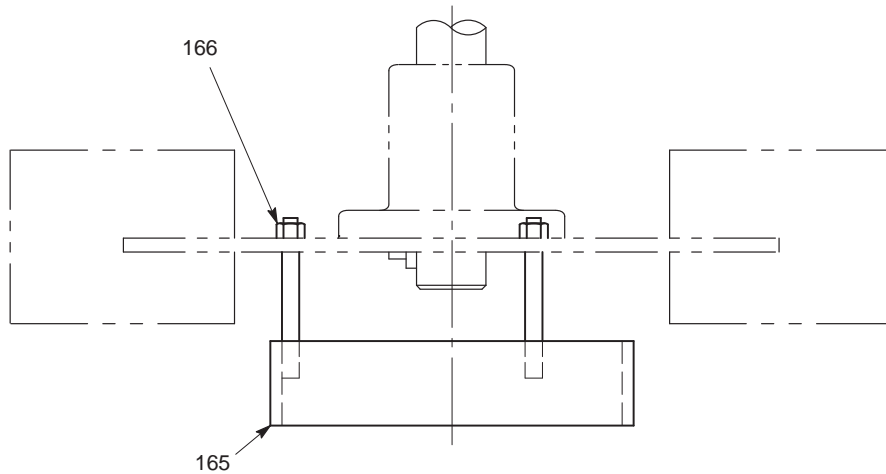
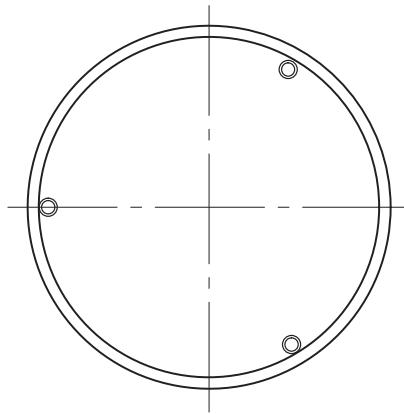
LIGHTNIN®
MIXERS AND AERATORS

ASSEMBLY DRAWING

**CURVED BLADE TURBINE
(SPLIT)**



© LIGHTNIN
2001



WHEN ORDERING PARTS SPECIFY:
DRAWING NUMBER, PART NAME, ITEM
NUMBER AND SERIAL NUMBER.

166	HEX NUT
165	STABILIZER RING
ITEM	PART NAME



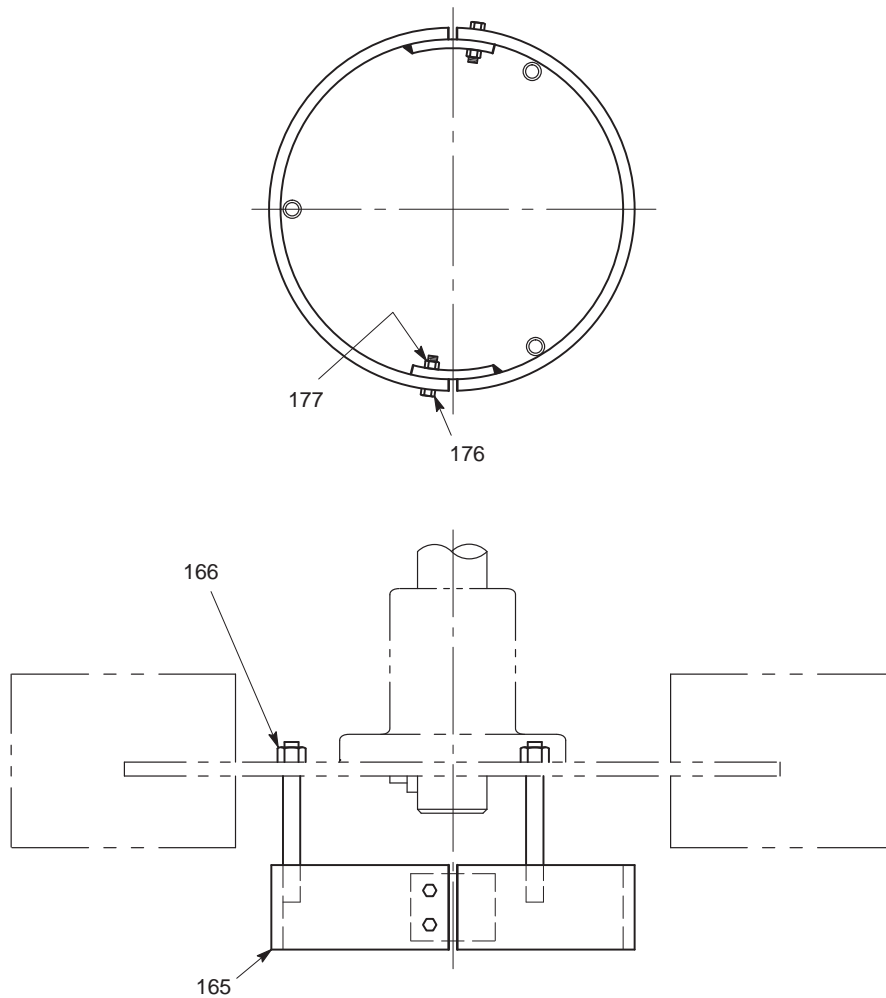
© LIGHTNIN
2001

ALL EQUIPMENT DESIGN AND APPLICATION DATA SHOWN
HEREIN AND RELATED KNOW-HOW IS **CONFIDENTIAL** AND
THE PROPERTY OF THE LIGHTNIN GROUP OF COMPANIES.
NO USE OR DISCLOSURE THEREOF MAY BE MADE WITHOUT
OUR WRITTEN PERMISSION.

LIGHTNIN®
MIXERS AND AERATORS

ASSEMBLY DRAWING

STABILIZER



WHEN ORDERING PARTS SPECIFY:
DRAWING NUMBER, PART NAME, ITEM
NUMBER AND SERIAL NUMBER.

177	HEX NUT
176	HEX HEAD CAP SCREW
166	HEX NUT
165	STABILIZER RING (SPLIT)
ITEM	PART NAME



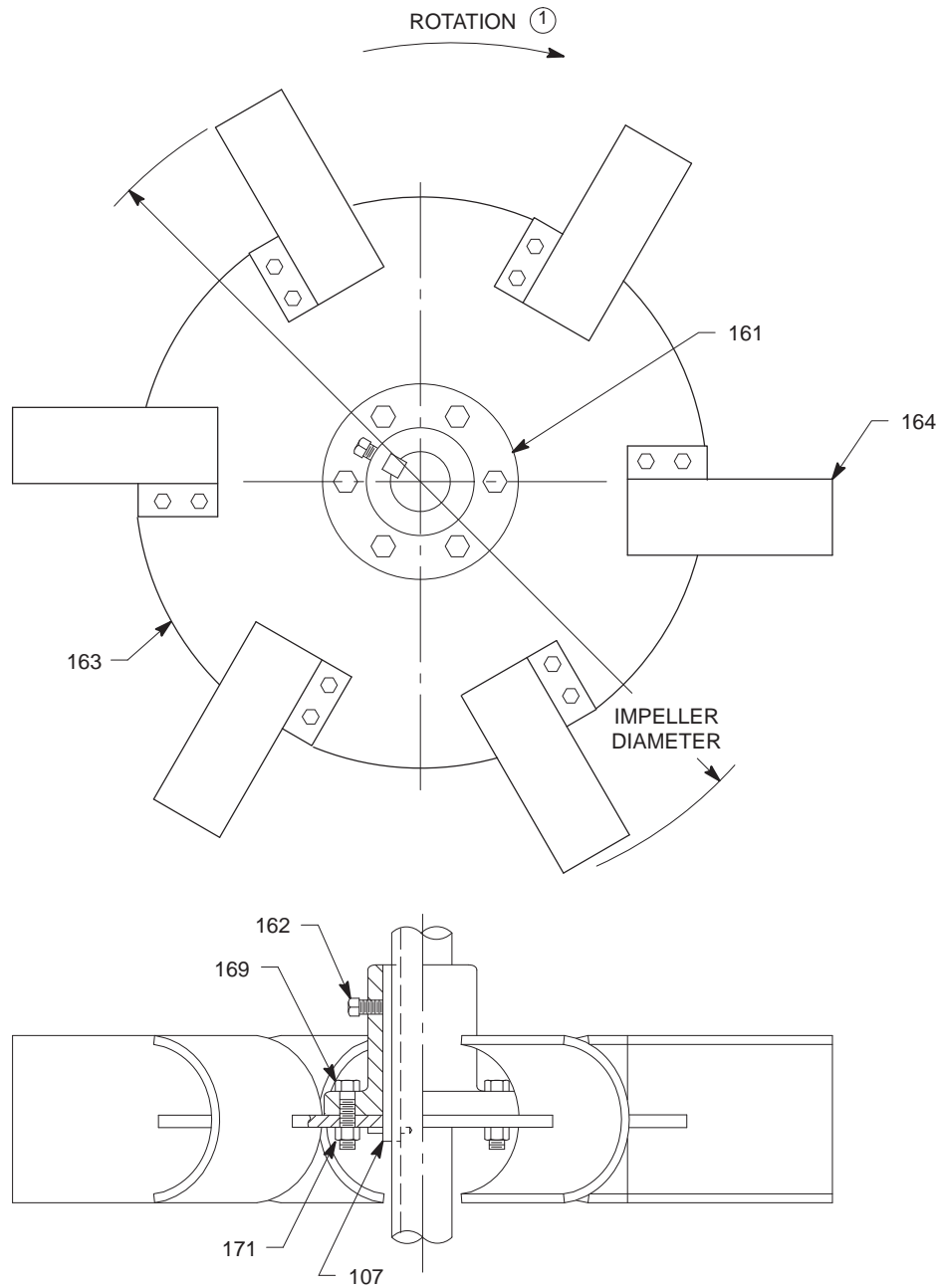
© LIGHTNIN
2001

ALL EQUIPMENT DESIGN AND APPLICATION DATA SHOWN
HEREIN AND RELATED KNOW-HOW IS **CONFIDENTIAL** AND
THE PROPERTY OF THE LIGHTNIN GROUP OF COMPANIES.
NO USE OR DISCLOSURE THEREOF MAY BE MADE WITHOUT
OUR WRITTEN PERMISSION.

LIGHTNIN®
MIXERS AND AERATORS

ASSEMBLY DRAWING

STABILIZER (SPLIT)



NOTE:

- ① FOR PROPER MIXING, TURBINE MUST BE INSTALLED AS SHOWN, WITH CONCAVE FACE BEING THE LEAD FACE.
- ② WHEN ORDERING PARTS SPECIFY: DRAWING NUMBER, PART NAME, ITEM NUMBER AND SERIAL NUMBER.
- ③ SPLIT TURBINE DISC (ITEM 163) AND STABILIZER RING ARE AVAILABLE AS OPTIONS.

ALL EQUIPMENT DESIGN AND APPLICATION DATA SHOWN HEREIN AND RELATED KNOW-HOW IS CONFIDENTIAL AND THE PROPERTY OF THE LIGHTNIN GROUP OF COMPANIES. NO USE OR DISCLOSURE THEREOF MAY BE MADE WITHOUT OUR WRITTEN PERMISSION.

LIGHTNIN®
MIXERS AND AERATORS

ASSEMBLY DRAWING

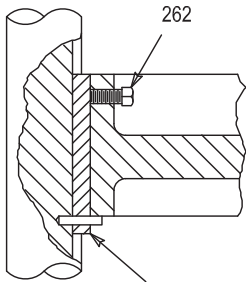
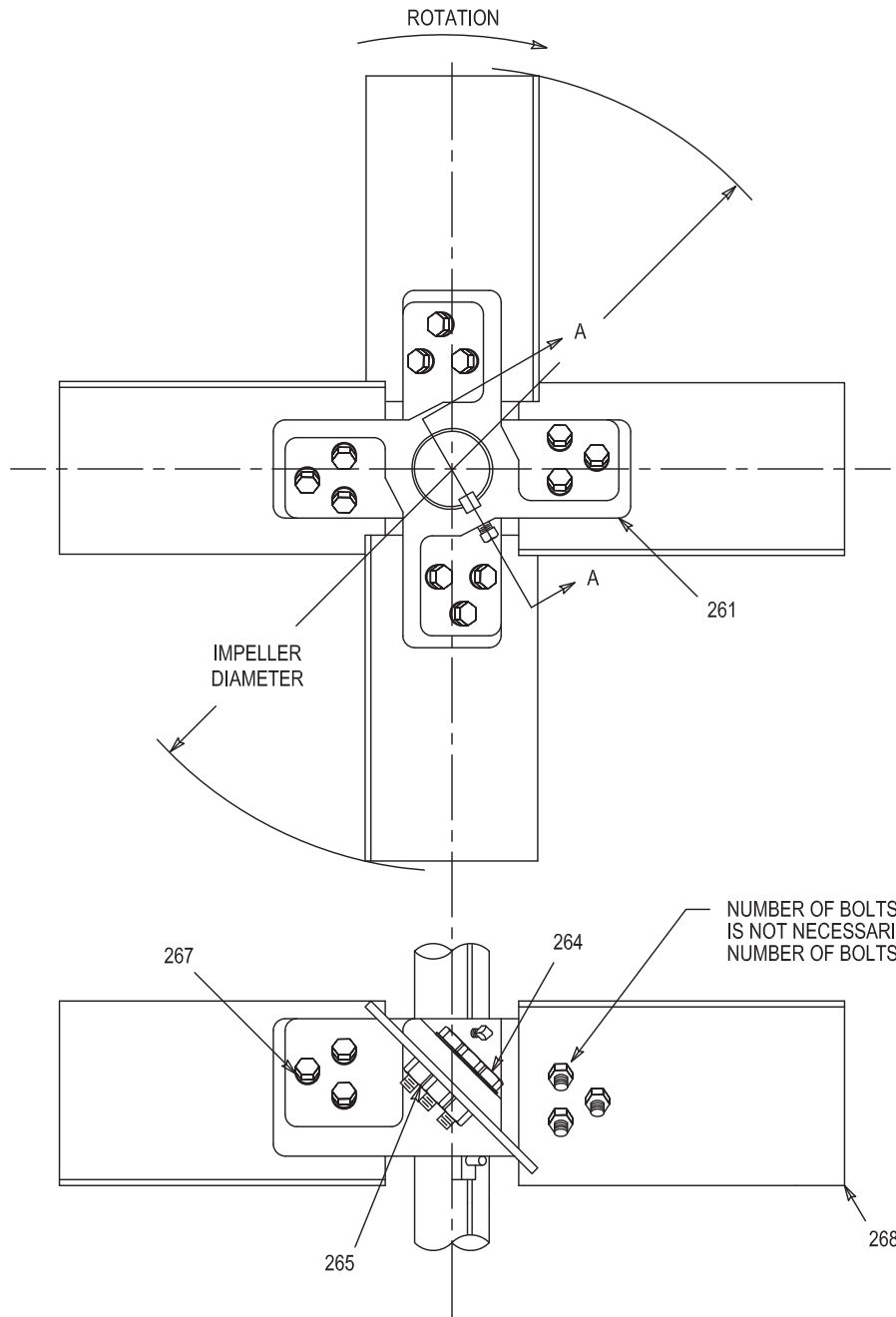
**R-130 TURBINE
ASSEMBLY**



CERTIFIED

© LIGHTNIN
2001

171	HEX NUT
169	HEX HEAD CAP SCREW
164	BLADE
163	TURBINE DISC
162	SET SCREW
161	TURBINE HUB
107	HOOK KEY
ITEM	PART NAME



SECTION A-A

WHEN ORDERING PARTS, SPECIFY:
MACHINE SERIAL NO., ITEM NO.
AND DRAWING NO.

268	BLADE
267	PLAIN WASHER
265	HEX NUT
264	HEX HEAD CAP SCREW
263	HOOK KEY
262	SET SCREW
261	TURBINE HUB
ITEM	PART NAME

ALL EQUIPMENT DESIGN AND APPLICATION DATA SHOWN HEREIN
AND RELATED KNOW-HOW IS CONFIDENTIAL AND THE PROPERTY
OF THE LIGHTNIN GROUP OF COMPANIES.
NO USE OR DISCLOSURE THEREOF MAY BE MADE WITHOUT
OUR WRITTEN PERMISSION.

LIGHTNIN®
MIXERS AND AERATORS

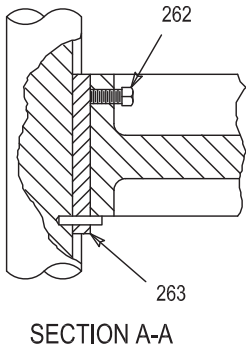
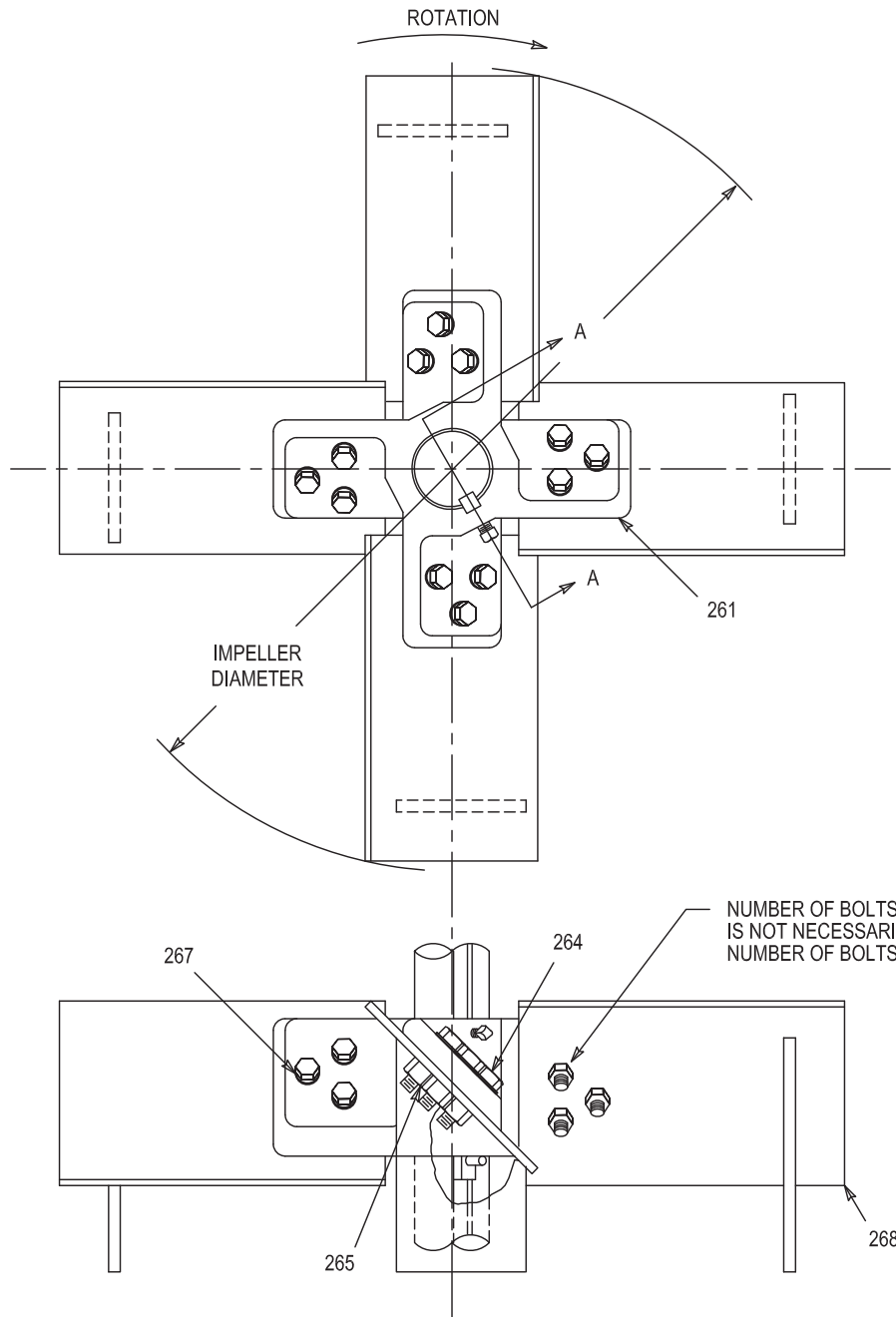
ASSEMBLY DRAWING

A200
AXIAL FLOW IMPELLER



CERTIFIED

© LIGHTNIN
2006



ALL EQUIPMENT DESIGN AND APPLICATION DATA SHOWN HEREIN AND RELATED KNOW-HOW IS CONFIDENTIAL AND THE PROPERTY OF THE LIGHTNIN GROUP OF COMPANIES. NO USE OR DISCLOSURE THEREOF MAY BE MADE WITHOUT OUR WRITTEN PERMISSION.

LIGHTNIN®
MIXERS AND AERATORS

ASSEMBLY DRAWING

A200
AXIAL FLOW IMPELLER

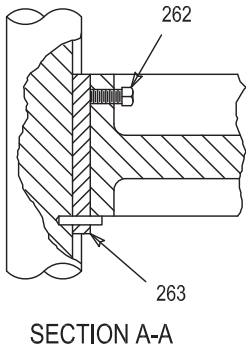
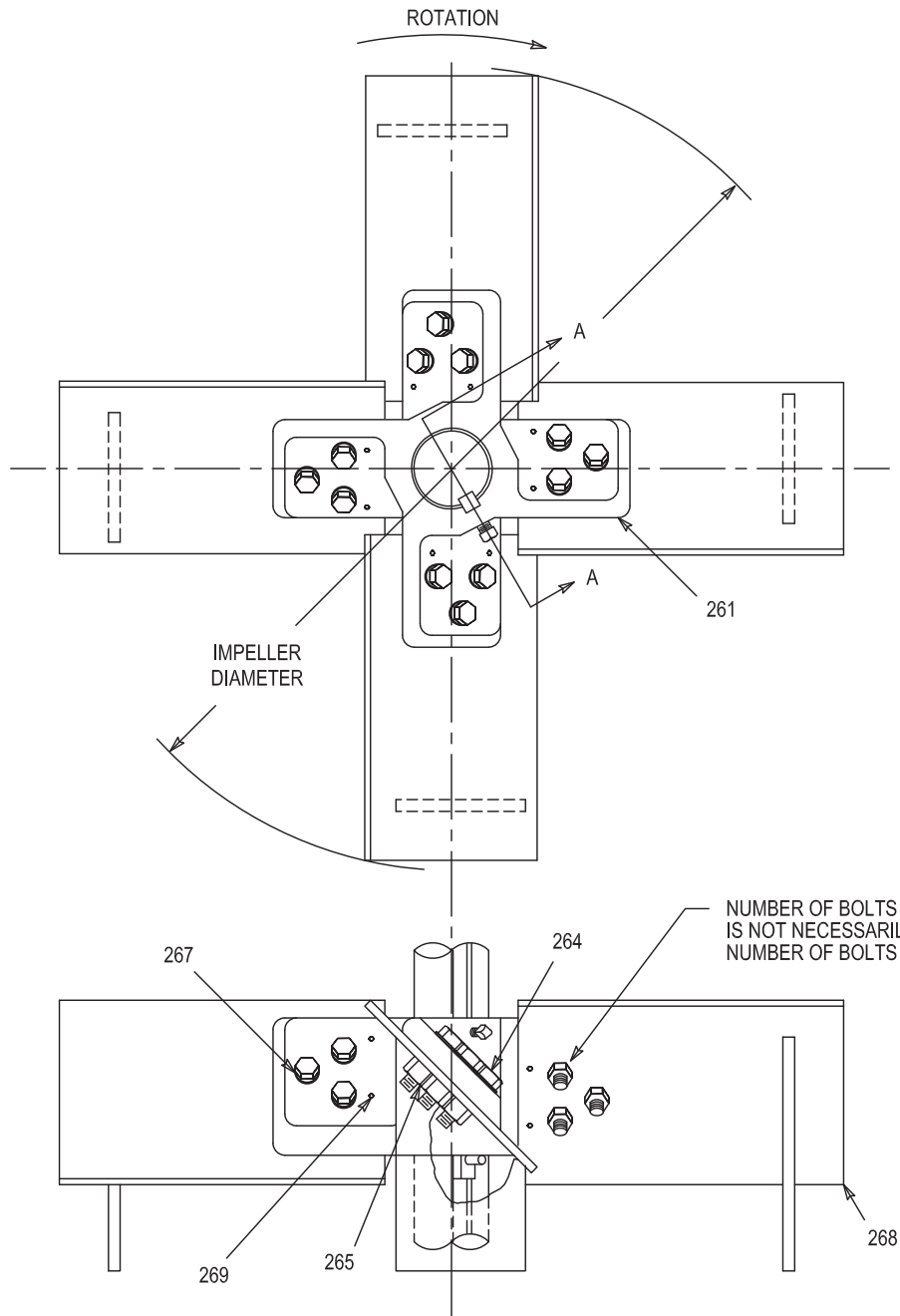
WITH STABILIZING FINS



© LIGHTNIN
2006

WHEN ORDERING PARTS, SPECIFY:
MACHINE SERIAL NO., ITEM NO.
AND DRAWING NO.

268	BLADE (WITH FINS)
267	PLAIN WASHER
265	HEX NUT
264	HEX HEAD CAP SCREW
263	HOOK KEY
262	SET SCREW
261	TURBINE HUB
ITEM	PART NAME



WHEN ORDERING PARTS, SPECIFY:
MACHINE SERIAL NO., ITEM NO.
AND DRAWING NO.

269	DOWEL PIN (2 PER BLADE)
268	BLADE
267	PLAIN WASHER
265	HEX NUT
264	HEX HEAD CAP SCREW
263	HOOK KEY
262	SET SCREW
261	TURBINE HUB
ITEM	PART NAME

ALL EQUIPMENT DESIGN AND APPLICATION DATA SHOWN HEREIN
AND RELATED KNOW-HOW IS CONFIDENTIAL AND THE PROPERTY
OF THE LIGHTNIN GROUP OF COMPANIES.
NO USE OR DISCLOSURE THEREOF MAY BE MADE WITHOUT
OUR WRITTEN PERMISSION.

LIGHTNIN®
MIXERS AND AERATORS

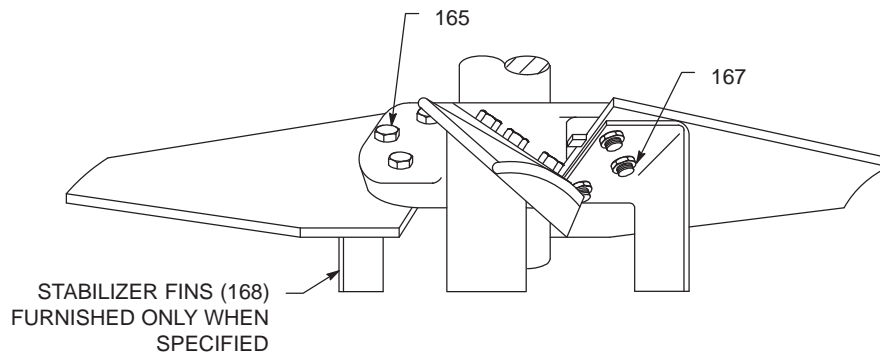
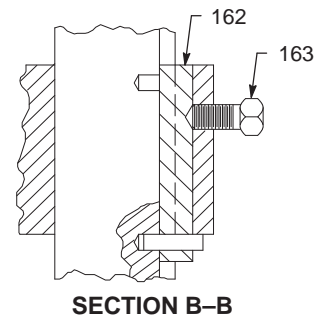
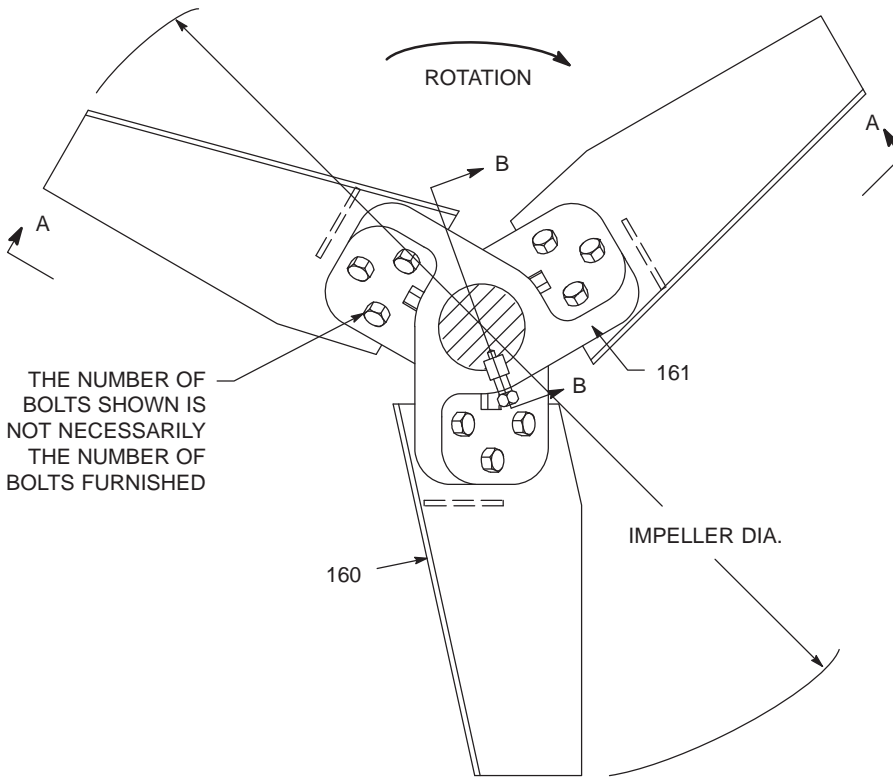
ASSEMBLY DRAWING

**AERATOR
A200
AXIAL FLOW IMPELLER**



CERTIFIED

© LIGHTNIN
2006



VIEW A-A

ALL EQUIPMENT DESIGN AND APPLICATION DATA SHOWN HEREIN AND RELATED KNOW-HOW IS **CONFIDENTIAL** AND THE PROPERTY OF THE LIGHTNIN GROUP OF COMPANIES. NO USE OR DISCLOSURE THEREOF MAY BE MADE WITHOUT OUR WRITTEN PERMISSION.

LIGHTNIN®
MIXERS AND AERATORS

ASSEMBLY DRAWING

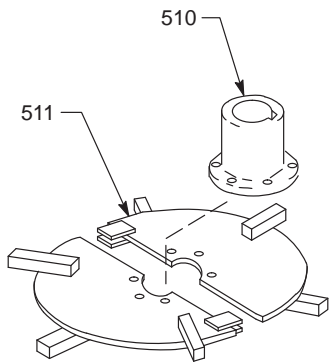
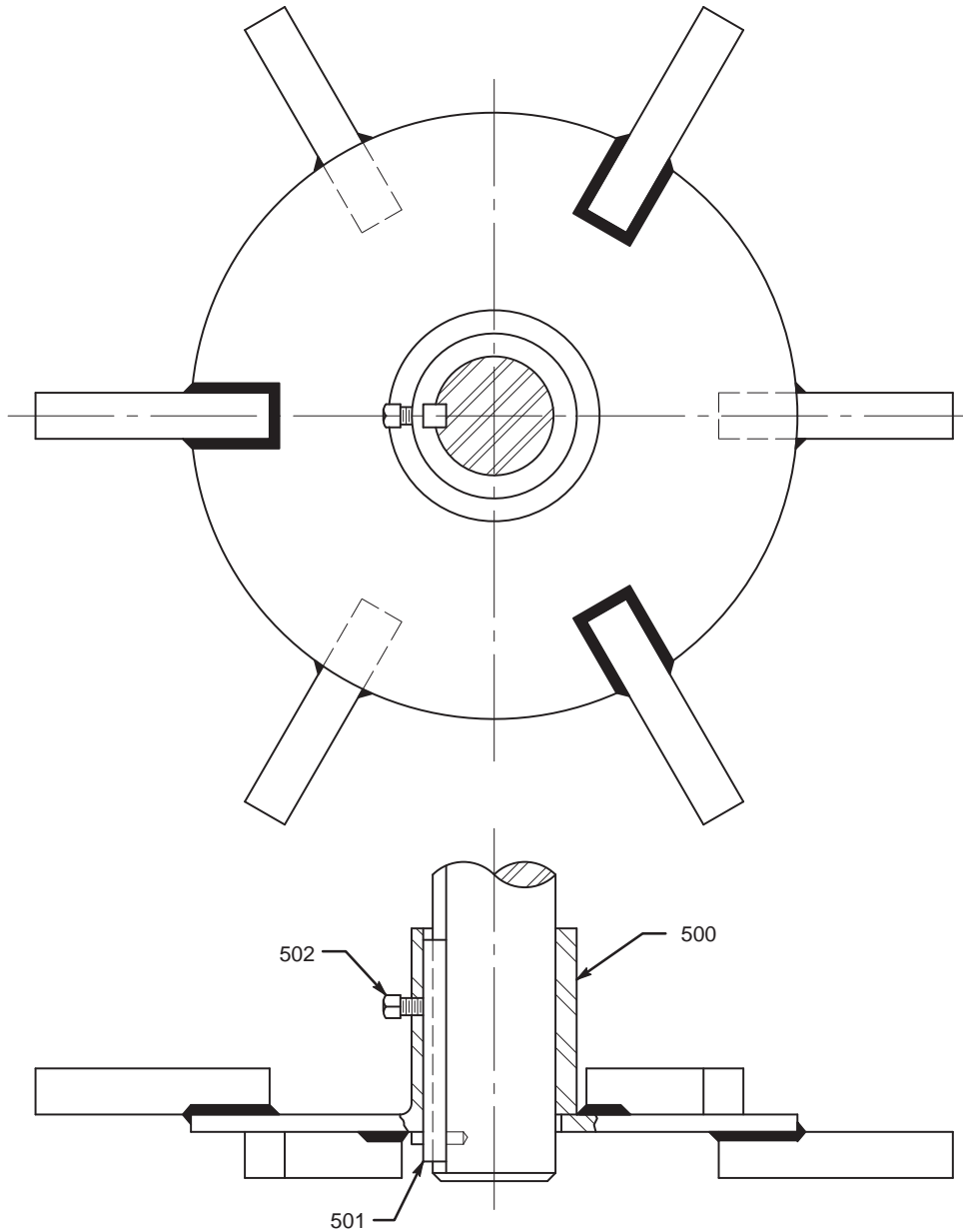
A310
AXIAL FLOW IMPELLER
ONE PIECE HUB W/
BOLTED BLADES



© **LIGHTNIN**
2001

WHEN ORDERING PARTS, SPECIFY:
DRAWING NUMBER, PART NAME, ITEM
NUMBER AND SERIAL NUMBER

168	STABILIZER FIN
167	HEX NUT
165	HEX HEAD CAP SCREW
163	SET SCREW
162	HOOK KEY
161	HUB
160	BLADE
ITEM	PART NAME



ALTERNATE SPLIT CONSTRUCTION
OPTIONAL AT EXTRA COST

WHEN ORDERING PARTS SPECIFY:
DRAWING NUMBER, PART NAME, ITEM
NUMBER AND SERIAL NUMBER.

511	SPLIT DISC W/BARS
510	TURBINE HUB (SPLIT CONST.)
502	SET SCREW
501	HOOK KEY
500	TURBINE
ITEM	PART NAME



CERTIFIED

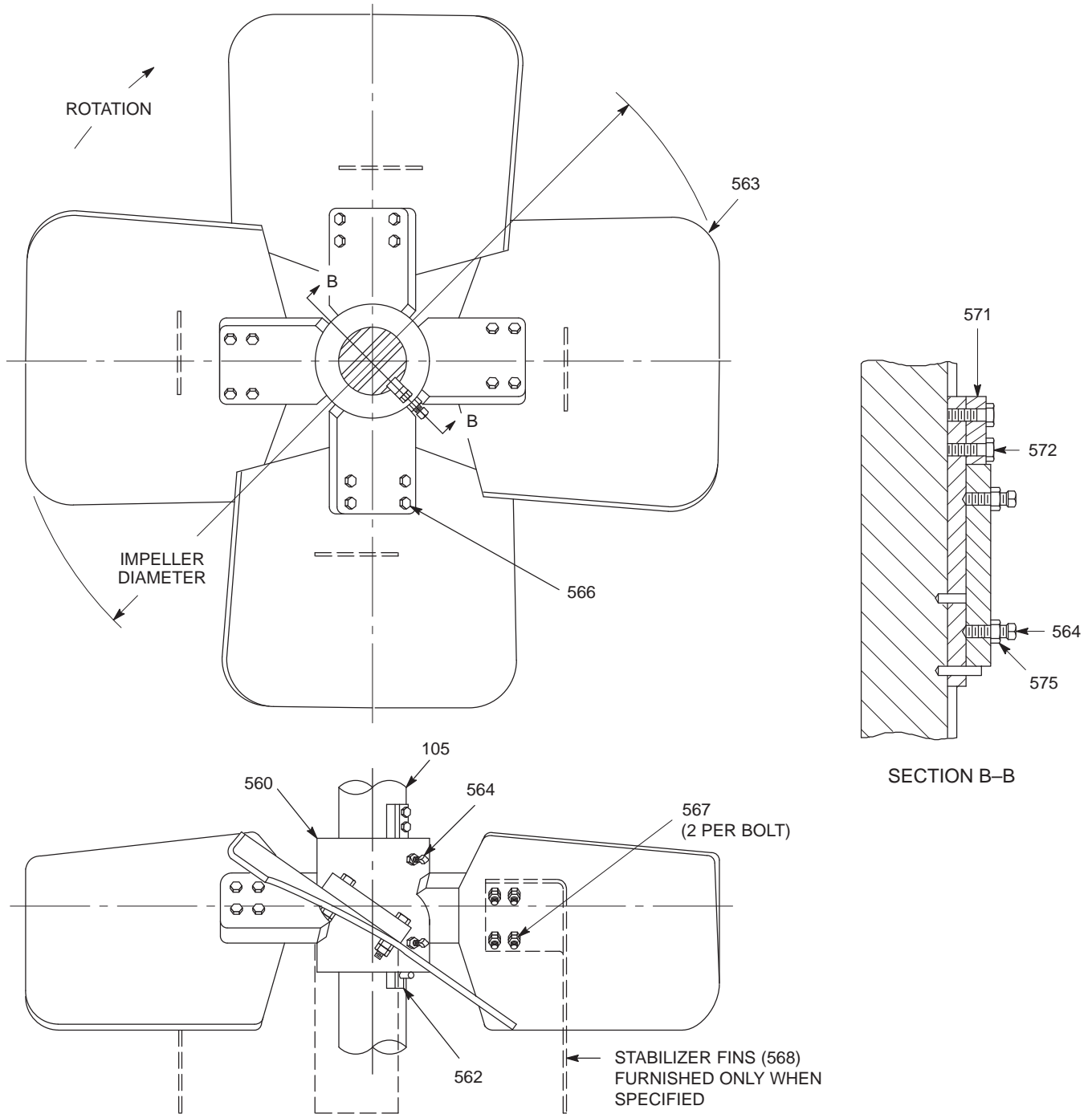
© LIGHTNIN
1984

ALL EQUIPMENT DESIGN AND APPLICATION DATA SHOWN
HEREIN AND RELATED KNOW-HOW IS **CONFIDENTIAL** AND
THE PROPERTY OF THE LIGHTNIN GROUP OF COMPANIES.
NO USE OR DISCLOSURE THEREOF MAY BE MADE WITHOUT
OUR WRITTEN PERMISSION.

LIGHTNIN

MIXERS AND AERATORS
ASSEMBLY DRAWING

R510
BAR TURBINE



WHEN ORDERING PARTS SPECIFY:
DRAWING NUMBER, PART NAME, ITEM
NUMBER AND SERIAL NUMBER.

NOTES:

- ① SPLIT HUB AVAILABLE
AT EXTRA COST.

575	LOCKING NUT
572	HEX HEAD CAP SCREW (2 REQ'D)
571	BACKER BLOCK
568	STABILIZING FIN
567	HEX NUT
566	HEX HEAD CAP SCREW
564	SET SCREW (2 REQ'D)
563	BLADE
562	HOOK KEY (2 PINS REQ'D)
560	HUB ①
105	LOWER SHAFT

ITEM	PART NAME
------	-----------

ALL EQUIPMENT DESIGN AND APPLICATION DATA SHOWN
HEREIN AND RELATED KNOW-HOW IS **CONFIDENTIAL** AND
THE PROPERTY OF THE LIGHTNIN GROUP OF COMPANIES.
NO USE OR DISCLOSURE THEREOF MAY BE MADE WITHOUT
OUR WRITTEN PERMISSION.

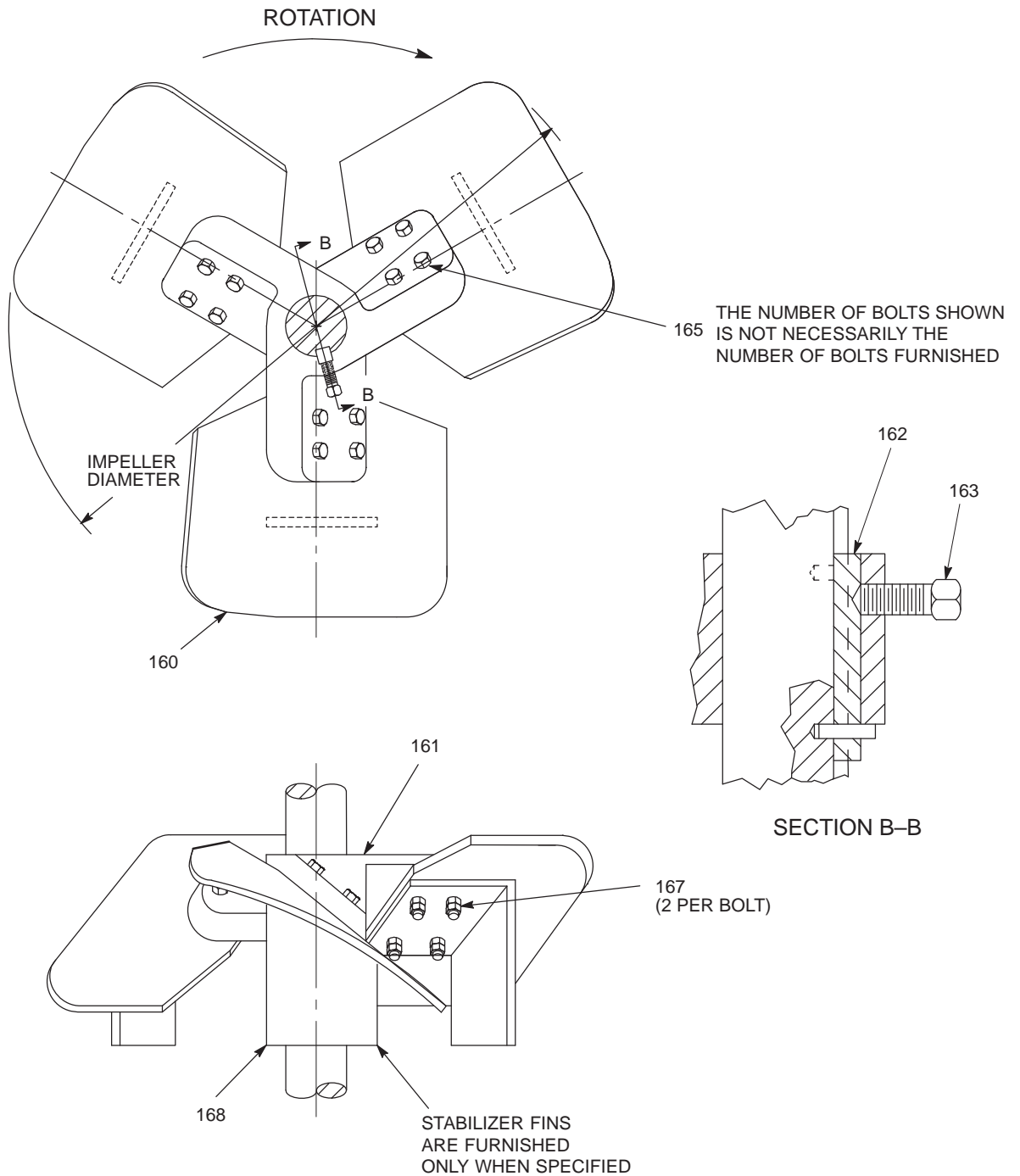
LIGHTNIN®
MIXERS AND AERATORS

ASSEMBLY DRAWING

A315
AXIAL FLOW IMPELLER
ONE PIECE HUB w/
BOLTED BLADES



© LIGHTNIN
2001



WHEN ORDERING PARTS SPECIFY:
DRAWING NUMBER, PART NAME, ITEM
NUMBER AND SERIAL NUMBER.

168	STABILIZER FINS
167	HEX NUT
165	HEX HD. CAP SCREW
163	SET SCREW
162	HOOK KEY
161	HUB
160	BLADE
ITEM	PART NAME

IMPELLER DIAMETER	MINIMUM OPENING
30	16
40	21
50	26
60	31
70	36
80	41

ALL EQUIPMENT DESIGN AND APPLICATION DATA SHOWN
HEREIN AND RELATED KNOW-HOW IS **CONFIDENTIAL** AND
THE PROPERTY OF THE LIGHTNIN GROUP OF COMPANIES.
NO USE OR DISCLOSURE THEREOF MAY BE MADE WITHOUT
OUR WRITTEN PERMISSION.



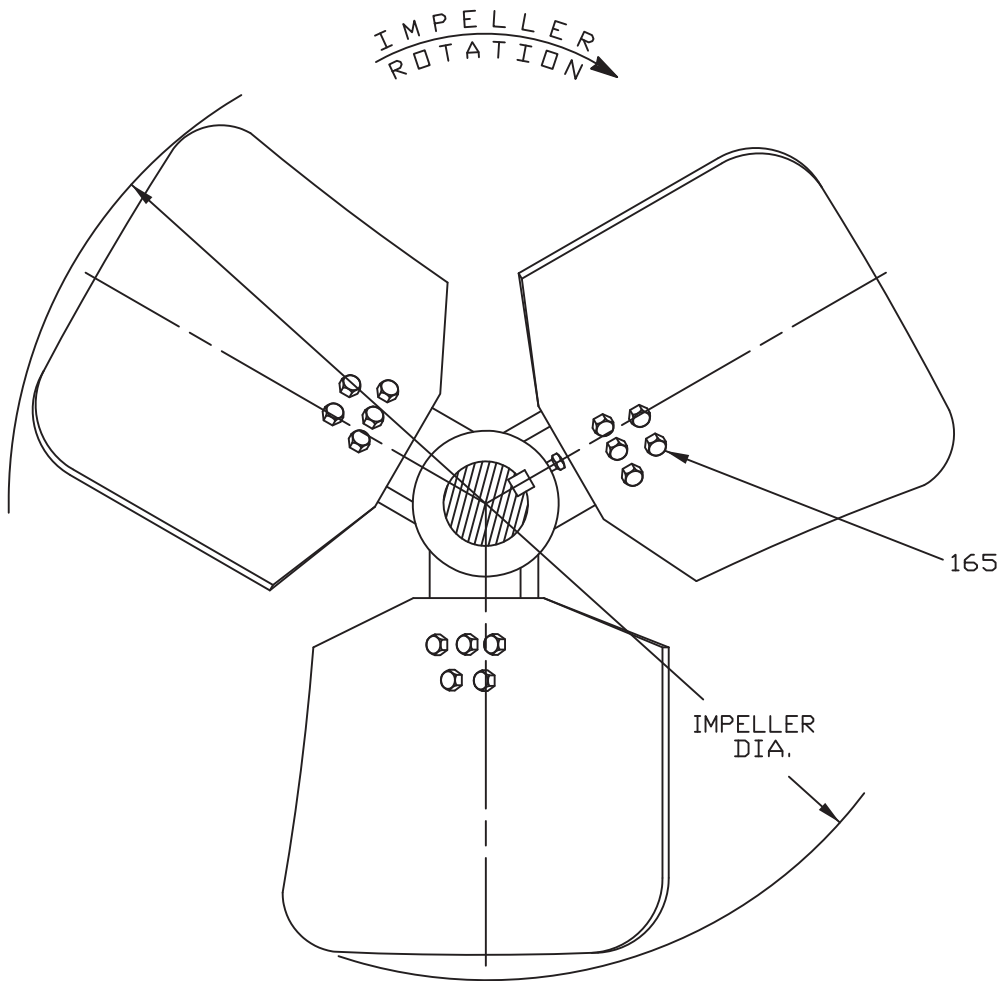
© LIGHTNIN
2001

LIGHTNIN

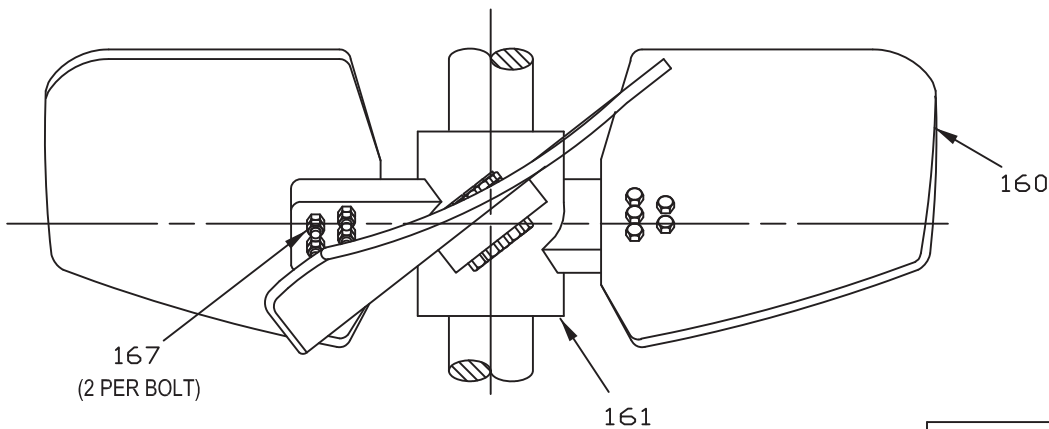
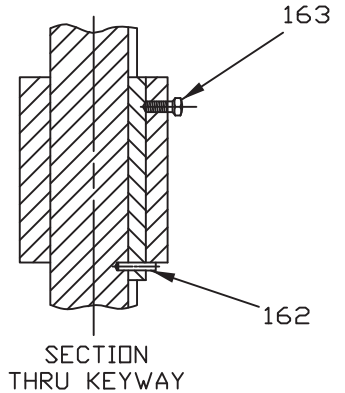
MIXERS AND AERATORS
ASSEMBLY DRAWING

A320
AXIAL FLOW IMPELLER
ONE PIECE HUB W/
BOLTED BLADES

DRAWING NO. L-16919C



THE NUMBER OF BOLTS SHOWN IS NOT NECESSARILY THE NUMBER OF BOLTS FURNISHED



WHEN ORDERING PARTS, SPECIFY:
MODEL AND SERIAL NUMBER, PART NAME,
ITEM NUMBER AND DRAWING NUMBER

ALL EQUIPMENT DESIGN AND APPLICATION DATA SHOWN HEREIN AND RELATED KNOW-HOW IS CONFIDENTIAL AND THE PROPERTY OF THE LIGHTNIN GROUP OF COMPANIES. NO USE OR DISCLOSURE THEREOF MAY BE MADE WITHOUT OUR WRITTEN PERMISSION.

LIGHTNIN®
MIXERS AND AERATORS

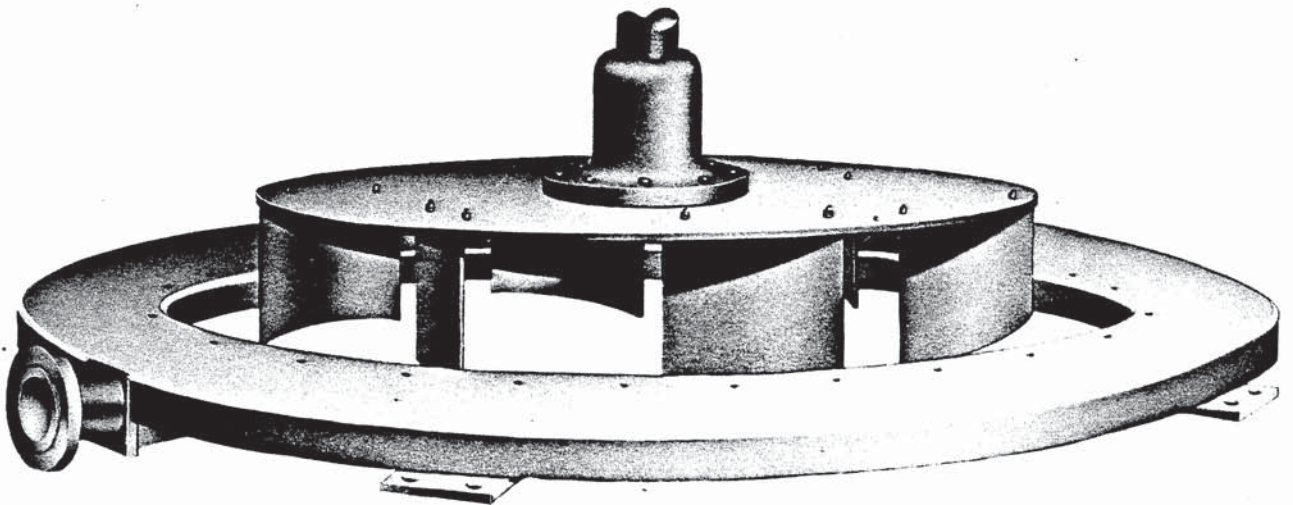
ASSEMBLY DRAWING

A340
AXIAL FLOW IMPELLER
ONE PIECE HUB W/
BOLTED BLADES



© LIGHTNIN
2007

167	HEX NUT
165	HEX HEAD CAP SCREW
163	SET SCREW
162	HOOK KEY
161	HUB
160	BLADE
ITEM	PART NAME



ALL EQUIPMENT DESIGN AND APPLICATION DATA SHOWN
HEREIN AND RELATED KNOW HOW ARE CONFIDENTIAL AND
THE PROPERTY OF MIXING EQUIPMENT COMPANY. NO USE OR
DISCLOSURE THEREOF MAY BE MADE WITHOUT OUR WRITTEN
PERMISSION

MIXING EQUIPMENT CO., INC.
A UNIT OF GENERAL SIGNAL

Members of the LIGHTNIN group are located in:
Rochester, N.Y., U.S.A. • Toronto, Ont., Canada
Sydney, N.S.W. Australia • Poynton, England
Frameries, Belgium • Frankfurt, Germany
Paris, France • Solna, Sweden • Mexico, D.F.

ASSEMBLY DRAWING

LIGHTNIN
MIXERS AND AERATORS

R321
SUBMERGED
TURBINE

1977