

**SEEPEX.**  
ALL THINGS FLOW

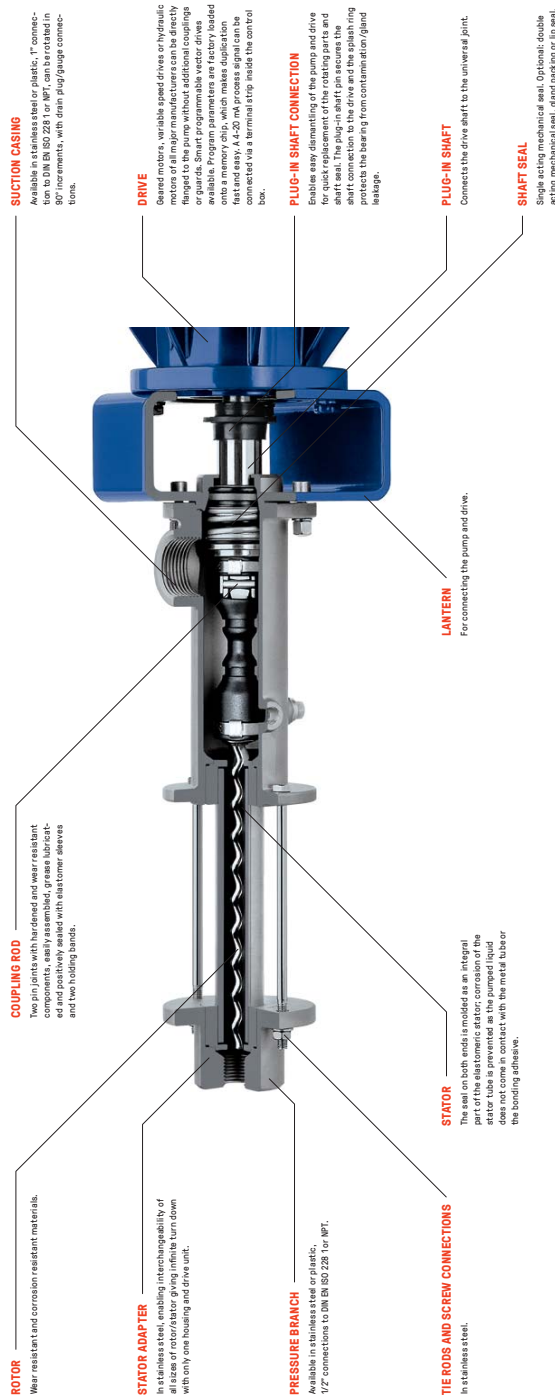
# TO THE EXACT DROP PRODUCT GROUP D



**D**

# FOR HIGHEST PRECISION

SEPEX metering pumps have highly repeatable accuracy. They're used to handle thin to highly viscous products that can be entrained with or without solids and are corrosive, all with low pulsation and to the exact drop.



**ROTOR**

Wear resistant and corrosion resistant materials.

**COUPLING ROD**

Two pin joints with hardened and wear resistant components, easily assembled, greases lubricated and positively sealed with elastomer sleeves and two sliding bands.

**STATOR ADAPTER**

In stainless steel, enabling interchangeability of all sizes of rotor/stator giving infinite turn down with only one housing and drive unit.

**PRESSURE BRANCH**

427 connections to DIN EN 80/228 for MPT.

**TIE RODS AND SCREW CONNECTIONS**

In stainless steel.

**LANTERN**

For connecting the pump and drive.

**PLUG-IN SHAFT**

Connects the drive shaft to the universal joint.

**SHAFT SEAL**

Single acting mechanical seal. Optional: double acting mechanical seal, gland packing or lip seal.

# OVERVIEW OF RANGES

## MD RANGE

The modular design of the MD range incorporates six sizes of metering pumps which are available with stainless steel or plastic castings. Rotating components are also manufactured from stainless steel. The MD range pumps are the ideal choice for low pulsation metering of low to highly viscous fluids with or without entrained solids and are chemically aggressive.



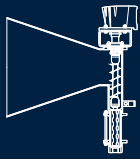
## MOP RANGE

The MOP range pumps are available with stainless steel or plastic housings. A special feature is the one-piece, wear resistant plastic rotating unit without joint.



## MOT RANGE

The MOT range pumps feature a rectangular open hopper with a compression zone and an auger feed screw. The length of the hopper opening is variable to suit the installation requirements, without entrained solids. The MOT range is equipped with the proven closed pin joint.



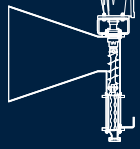
## MOTC RANGE

The MOTC range feature a rectangular open hopper with a compression zone and an auger feed screw, which assist the product into the pumping elements, the rotor and stator. The length of the hopper opening is variable to suit the application conditions. They are used for pumping highly viscous products. The MOTC range pumps are equipped with open barrel-shaped pin joints that can be cleaned without leaving residues through CIP cleaning. They meet the highest demands of cleanliness, safety and corrosion or wear resistance. The MOTC range pumps are built with FDA compliant components, certified acc. to the 3-A Sanitary Standards (USA) and designed in compliance with the EHEDG directives.



## MOF RANGE

The MOF range pumps are used for emptying barrels with 2.7" hole. The liquid level in the container provides a positive feed. These pumps are ideal for handling thin to highly viscous products and are used for applications where the pump can be easily transported by a handle attachment.



# APPLICATIONS

The six ranges of metering pumps can be used in virtually all industries for metering and dosing precise quantities. They are particularly good for low-pulsation conveying of thin to high viscosity fluids, as well as corrosive media containing solids.

They are used for applications in agriculture; automotive assembly; bakeries; building products; ceramics; chemical and biochemical processing; coating kitchens, stock preparation and deinking in paper mills; confectioneries, dairies; distilleries; dye and ink plants; fruit and vegetable processing; pharmaceuticals, cosmetics and personal care products; poultry, meat and fish processing; oil, gas and petrochemicals; ship building; sewage sludge dewatering; wastewater treatment; water purification; wineries and wood treatment and fabrication.

## FEATURES

- Simple interchangeability due to their modular construction
- Infinite turn down
- Low pulsation, no pulsation dampers required
- Constant flow, independent of pressure
- Low shear characteristics
- High metering accuracy
- Valveless flow control
- No check valves, no gas locking or blocking by solids
- Drive options and control systems available that allow user-friendly metering applications

## KEY FACTS

- Conveying capacity:  
1 cc/min.–1,000 l/h  
0.06 l/h–1,000 l/h (0.016–264 USGPH)
- Pressure:  
up to 24 bar (360 psi)

**SEEPEx.**  
ALL THINGS FLOW

SEEPEx GmbH  
[www.seepex.com](http://www.seepex.com)