

LIGHTNIN[®]
EV Series
Portable Mixers

Economy and Value
from a name you
know and trust.



YOU AND LIGHTNIN. THE RIGHT MIX.

LIGHTNIN

LIGHTNIN EV Mixers.

Superior economy and value for single-purpose mixing applications.

Now you can buy just as much mixer capability as you need for your specific application, without having to buy features and options that are more than you require. Plus, you get all the quality and reliability you'd expect from the world leader in fluid mixing technology.

- 280 and 350 RPM Gear Drive units feature lower speeds and higher torque for mixing large batches of low-viscosity fluids or smaller batches of high-viscosity fluids.
- Self-aligning, floating gears optimize load sharing and reduce wear.
- 1,725 RPM Direct Drive units are designed for small batch mixing plus high fluid shear applications.
- Switch, cord and plug are **standard** on all single-phase, 60 Hz, non-explosion proof units.
- Flexible motor coupling reduces mechanical starting loads for extended gear life.
- Permanently sealed lubrication reduces maintenance costs.
- Oversized bearings provide superior shaft support.
- Includes LIGHTNIN's 100% performance guarantee.



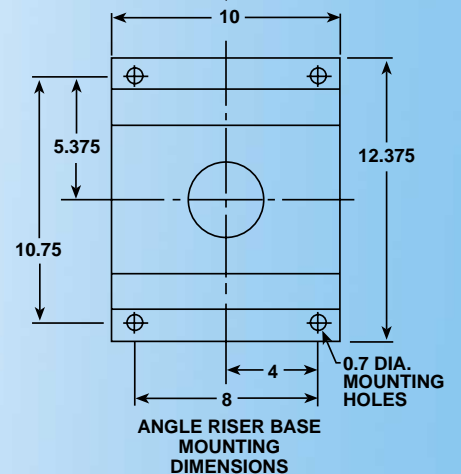
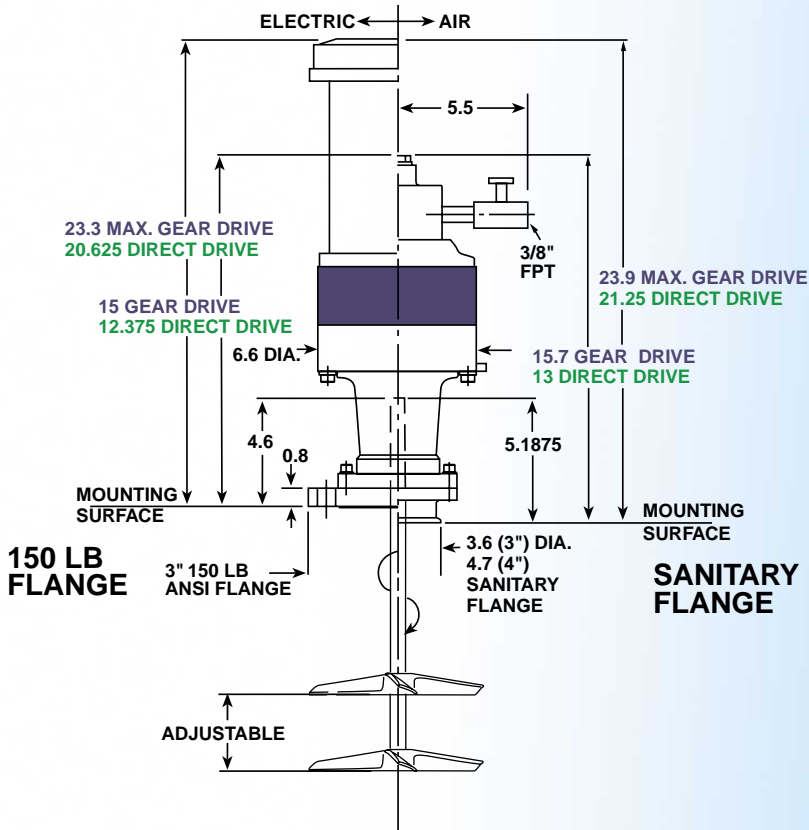
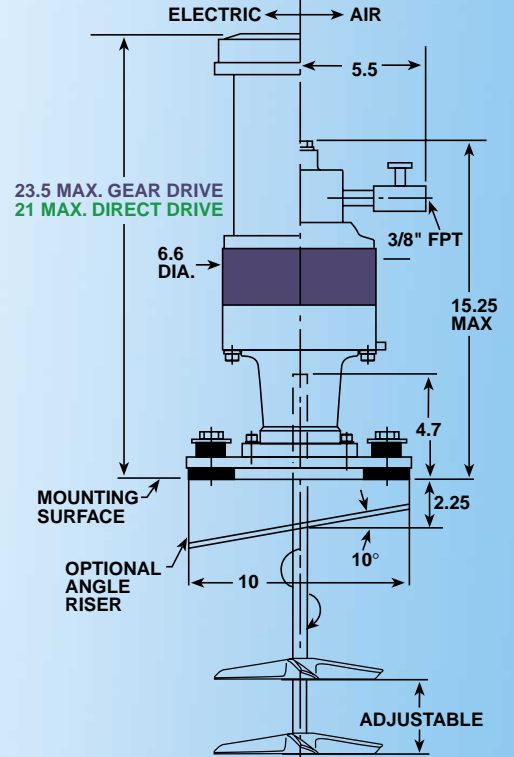
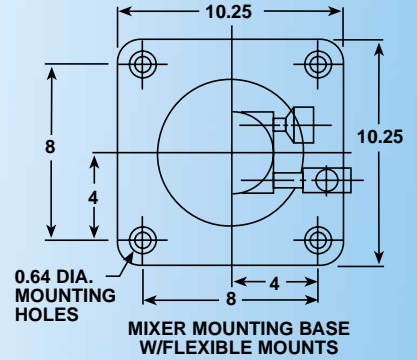
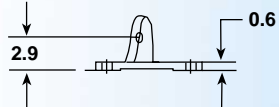
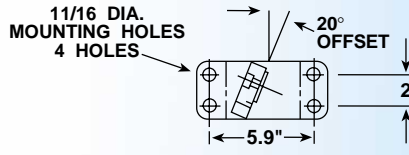
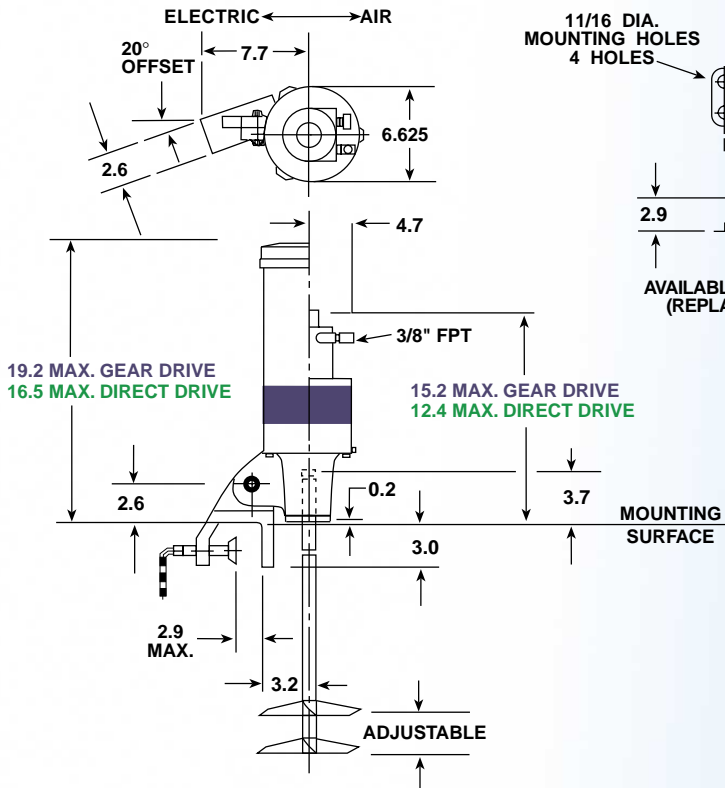
Variable Speed control is available on all electric models, except XP models.



Optional 1/4 to 3/4 hp cool-running air motors can be used in flammable or explosive environments, and in ambient temperatures up to 250°F (120°C).



Optional flange mount (above) or plate mount (left) bases are available.

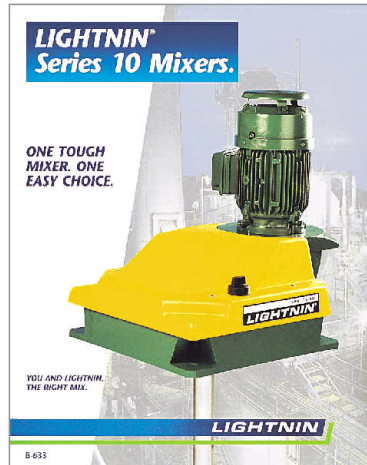


Contact the LIGHTNIN Experts

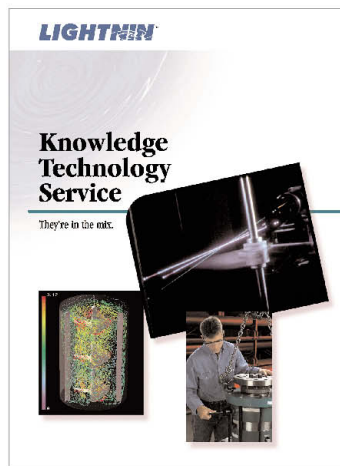
Learn more about other high-performance mixers from LIGHTNIN.

Visit our website at www.spxprocessequipment.com.

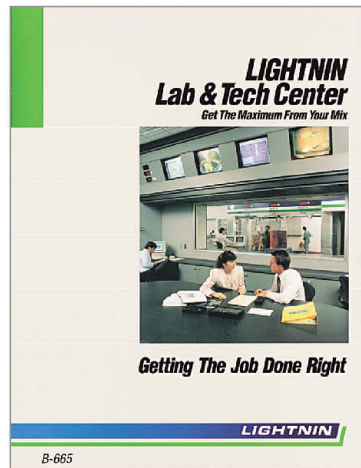
Or call 1-888-MIX-BEST (U.S. and Canada), or +1(585) 436-5550 (Worldwide).



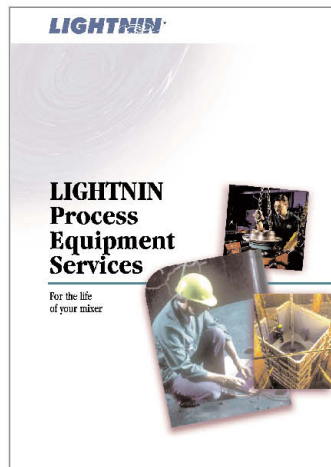
B-633



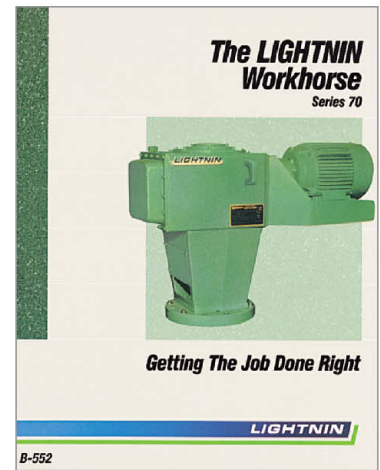
B-901



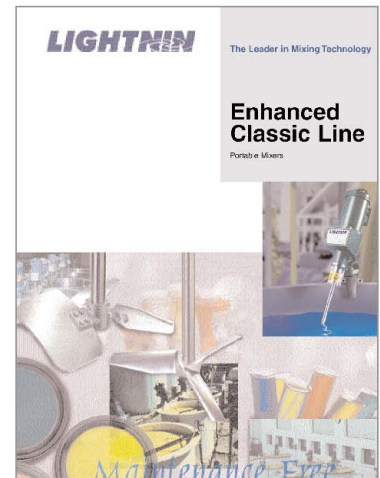
B-665



B-773



B-552



B-799

LIGHTNIN
An SPX Process Equipment Operation

*When it comes to mixing
We never stop*

135 Mt. Read Blvd.
Rochester, NY 14611 USA

Telephone: 585-436-5550

Fax: 585-436-5589

www.spxprocessequipment.com