

## ELECTRONIC CAPACITY CONTROL

**COMPACT & PRECISE CAPACITY CONTROL FOR THE MOST DEPENDABLE METERING PUMPS**

### ELECTRONIC CONTROL FEATURES

- 100% duty cycle
- Superior Accuracy
- Compact electronic design
- Manual handwheel standard
- No clutches or brakes
- Severe duty design standard
- Local micrometer stroke indication
- Split signal capacity standard (field adjustable)
- Direct or reverse acting standard (field adjustable)
- Low maintenance design
- No overshoot or hunting

### ELECTRONIC CONTROL SPECIFICATIONS

#### Enclosure

- NEMA 4X / IP 66
- Explosion Proof –
  - **MET Certified:** Class I, Division 1, Group B, C & D, T5; Class II, Division 1 Groups E, F & G, T5; 115/230 VAC, 50/60Hz, 1A, and C Mark – file number: E212134.
  - **FM Approved:** Explosion proof for Class I, Division 1, Groups B, C, and D; Dust-ignition proof for Class II, Division 1 Groups E, F, and G Hazardous (Classified) Locations, Indoor/outdoor Type 4X
  - **ATEX:** II 2 G D, certificate number: TRAC12ATEX0045X.
- **IECEX:** Ex d IIC T4 Gb, Ex tb IIIC T104°C Db, certificate number: IECEX TRC 12.0021X.

#### Electrical Input Power

1 phase, 50/60 hz cycle, 115 VAC  
 or  
 1 phase, 50/60 hz cycle, 220VAC

#### Control Signal

4-20 mA (250 ohm load; split range 4-12, 12-20; direct or reverse acting) (field adjustable) or 1-5 VDC switchable

#### Position Output Signal

4-20 mA; 1-5 VDC switchable

#### Accuracy

±0.5% or better

#### Duty Cycle

100%

#### Temperature

-40° F to 140° F (-40° C ≤ T<sub>a</sub> ≤ 60° C)

#### Travel Limits

Electronic, factory set

#### Manual Unpowered Operation

Fluted handwheel

#### Materials

- Cover . . . . . Aluminum
- Housing . . . . . Aluminum
- Handwheel Shaft . . . . . Stainless Steel
- Handwheel . . . . . Plastic
- Stem Adaptor . . . . . Stainless Steel
- Mounting Bracket. . . . . Steel

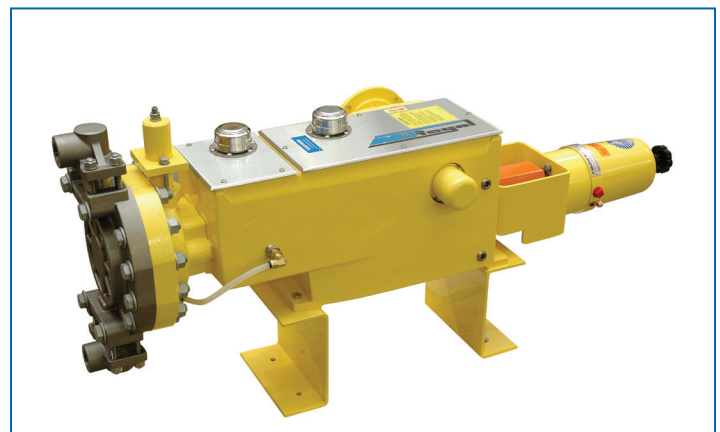
### MROY® WITH ELECTRONIC CAPACITY CONTROL



### MAXROY® WITH ELECTRONIC CAPACITY CONTROL



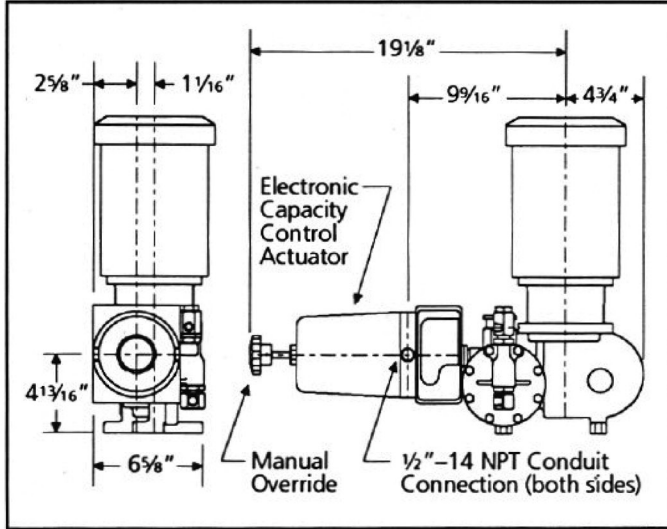
### MILROYAL® B WITH ELECTRONIC CAPACITY CONTROL



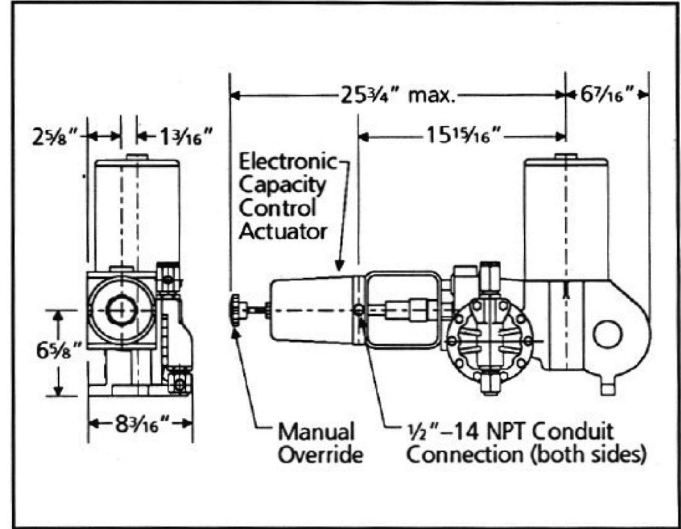


**DIMENSIONS**

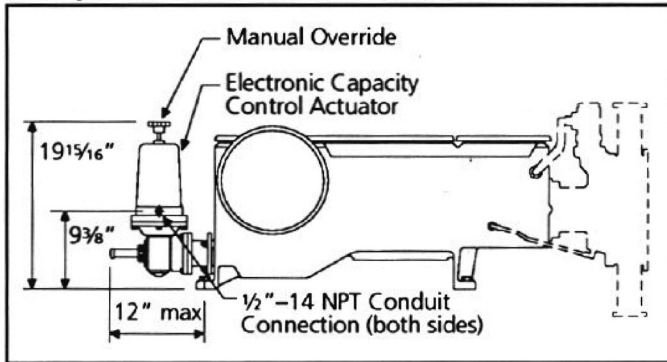
**mRoy A & P with Electronic Capacity Control**



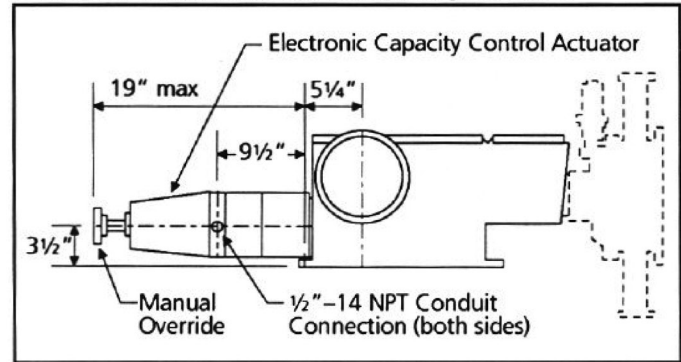
**mRoy B with Electronic Capacity Control**



**Milroyal C with Electronic Capacity Control**



**Milroyal B with Electronic Capacity Control**



**maxRoy B with Electronic Capacity Control**

