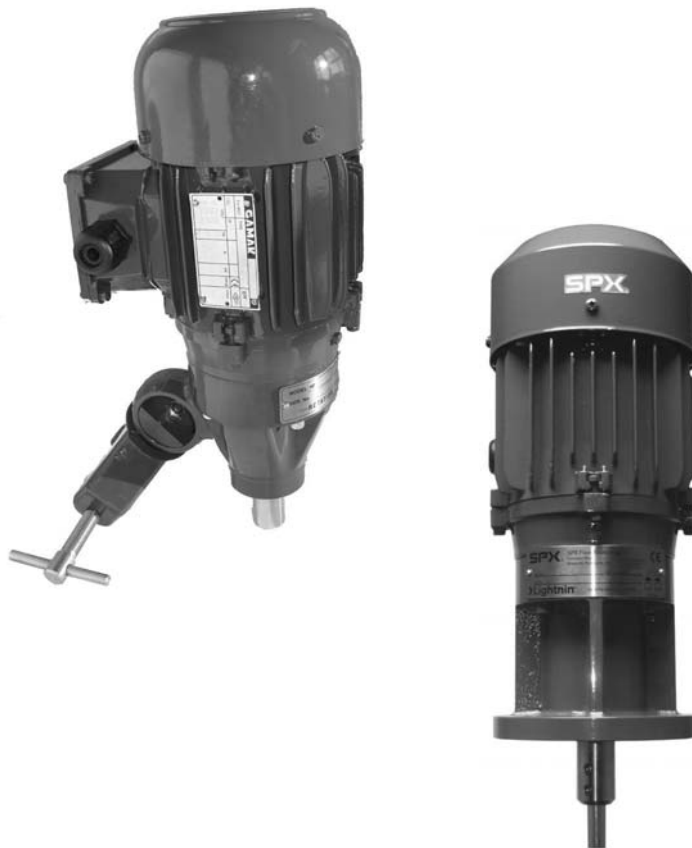




H-Series Mixers

GENERAL PURPOSE MIXERS



General Purpose Mixers for test, laboratory or for your production needs

The Lightnin H Series mixers continue to offer an affordable general purpose mixer suitable for many industrial applications. The design is simple, robust and easily maintained making it perfect for production testing or for use in your 24/7 industrial applications. Thousands of units are in operation in diverse industries such as paint and chemical applications.

Mixing versatility

The HP & HE Series mixers are suitable for production environments and as such offer many features as standard and options for your particular needs. The overall mass is less than 10kg (25 lbs.) making the H unit easily repositionable and easily moved from tank to tank.

Features and Benefits

- The HP unit is available with adjustable clamp or bolted beam plate. Adjustments to clamp and beam fixings made with a single lever for easy repeatable positioning.
- The HE unit has a fixed position mounting arrangement; this can be fitted to an inclined mounting surface. Available as a flat flange or Tri-clover flange.
- Low weight and compact size makes it easy to fit the unit alongside other essential equipment.
- Variable speed up to 1450rpm at 50Hz or 1780rpm at 60Hz, 0.25kW (0.3HP).
- 400 V 50Hz, 230/460V 60Hz, and 575V 60Hz as standard.
- A reversible air motor is available that can be driven by dry clean air or by lubricated air.
- 1220mm (48") and 915mm (36") shaft lengths available as standard and can be easily supplied or cut to required length.
- Lightnin A100 and A310 or folding 2 blade impellers available.

Lightnin H Series shown with adjustable clamp mounting



Lightnin H Series shown in a typical small vessel installation



Impellers by Lightnin

Using Lightnin A310 or A100 impellers in their true shape offers the ability to accurately scale-up from laboratory scale, pilot scale to production scale.



Lightnin A310, A100 and folding Impellers

SPX

For Sales locations click
<http://www.spx.com/en/lightnin/where-to-buy/>
or use your SmartPhone and the QR Code



SPX FLOW US, LLC - LIGHTNIN AND PLENTY MIXERS

135 Mt. Read Blvd.
Rochester, NY 14611

P: (888) 649-2378 (MIX-BEST), US and Canada) or +1 (585) 436-5550

F: (585) 436-5589 • E: lightnin@spx.com • www.lightninmixers.com

SPX reserves the right to incorporate our latest design and material changes without notice or obligation. Design features, materials of construction and dimensional data, as described in this bulletin, are provided for your information only and should not be relied upon unless confirmed in writing. Please contact your local sales representative for product availability in your region. For more information visit www.spx.com. The green ">" and Lightnin are trademarks of SPX Corporation, Inc. ISSUED 05/2015 B-958 COPYRIGHT © 2015 SPX Corporation